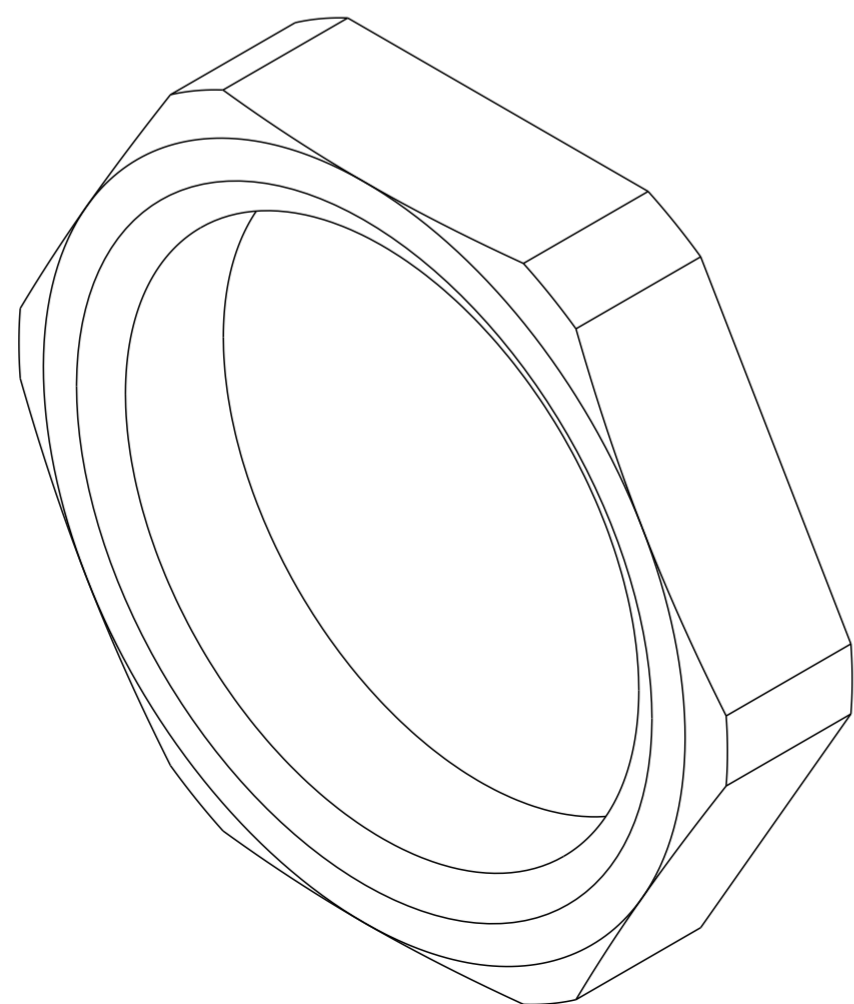
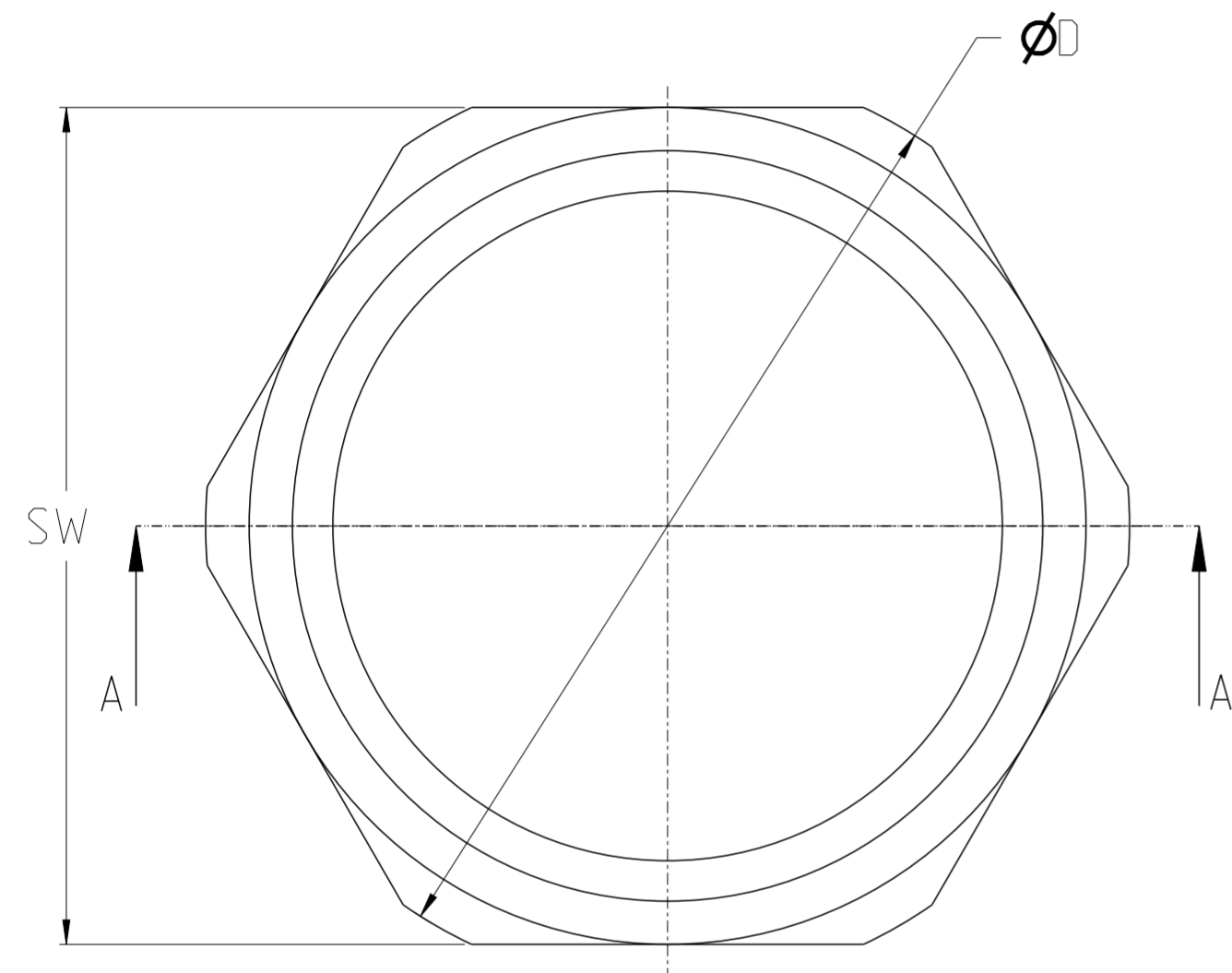
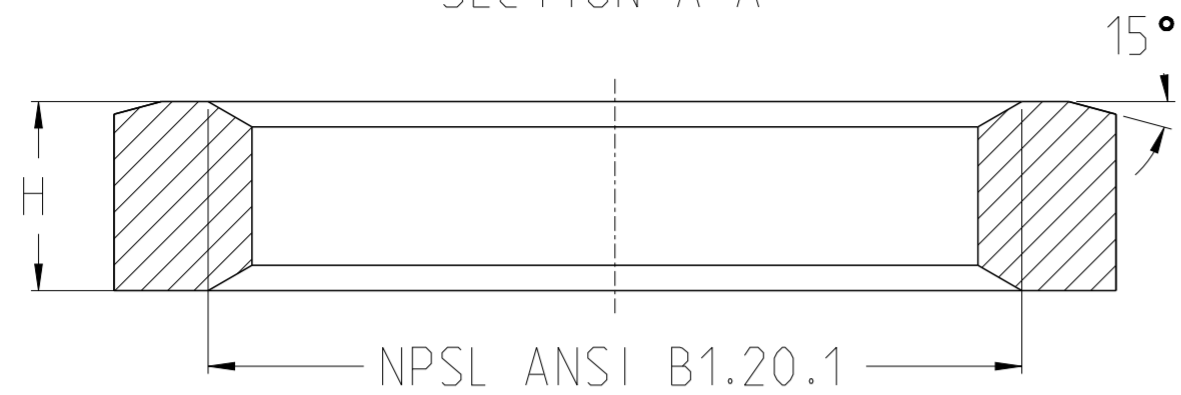


P	LTR	DESCRIPTION	DATE	DWN	APVD
	A	INITIAL REVISION	16FEB2022	GN	RM

SECTION A-A



TCPN	TE Product Type (Entrelec)	SIZE	H	D	SW
1SNG608009R0000	EM-LN-NPT14-MET-A	NPSL 1/4"	5.0	18.8	17
1SNG608010R0000	EM-LN-NPT38-MET-A	NPSL 3/8"	5.0	26.5	24
1SNG608011R0000	EM-LN-NPT12-MET-A	NPSL 1/2"	5.0	26.5	24
1SNG608012R0000	EM-LN-NPT34-MET-A	NPSL 3/4"	6.0	37.5	34
1SNG608013R0000	EM-LN-NPT1-MET-A	NPSL 1"	6.0	46.4	42
1SNG608014R0000	EM-LN-NPT114-MET-A	NPSL 1 1/4"	7.0	57.4	52
1SNG608015R0000	EM-LN-NPT112-MET-A	NPSL 1 1/2"	7.0	65.1	60
1SNG608016R0000	EM-LN-NPT2-MET-A	NPSL 2"	8.0	81.8	74

THIS DRAWING IS A CONTROLLED DOCUMENT.		DWN 16FEB2022 N. Hunashikatti, Girish	TE Connectivity	
DIMENSIONS: mm		CHK 16FEB2022 Rajan n. Kasi		
TOLERANCES UNLESS OTHERWISE SPECIFIED:		APVD 16FEB2022 Rafeeq, Mohd	NAME NPSL-LOCK-NUT-METAL	
0 PLC ± 1 PLC ±1 2 PLC ±1 3 PLC ±1 4 PLC ±1		PRODUCT SPEC NPSL-LOCK-NUT-METAL	SIZE A2	CAGE CODE 00779
MATERIAL Brass		FINISH Nickel Plated	DRAWING NO 1SNP061322-0100	RESTRICTED TO -
		WEIGHT -	SCALE 5:1	SHEET 1 OF 1
		CUSTOMER DRAWING	REV A1	