

## 4 A HB LED driver with dimming function based on the LED2001 in an HSOP8 package

Data brief



### Features

- 3.0 V to 18 V operating input voltage range
- 850 kHz fixed switching frequency
- 100 mV typical current sense voltage drop
- PWM dimming
- $\pm 7\%$  output current accuracy
- Synchronous rectification
- Internal current limiting
- Thermal shutdown
- RoHS compliant

### Description

The purpose of the STEVAL-ILL054V2 evaluation board is to aid in the evaluation of the LED2001, an 850 kHz fixed switching frequency monolithic step-down DC-DC converter. The LED2001 is designed to operate as a precise constant current source with an adjustable current capability up to 4 A DC.

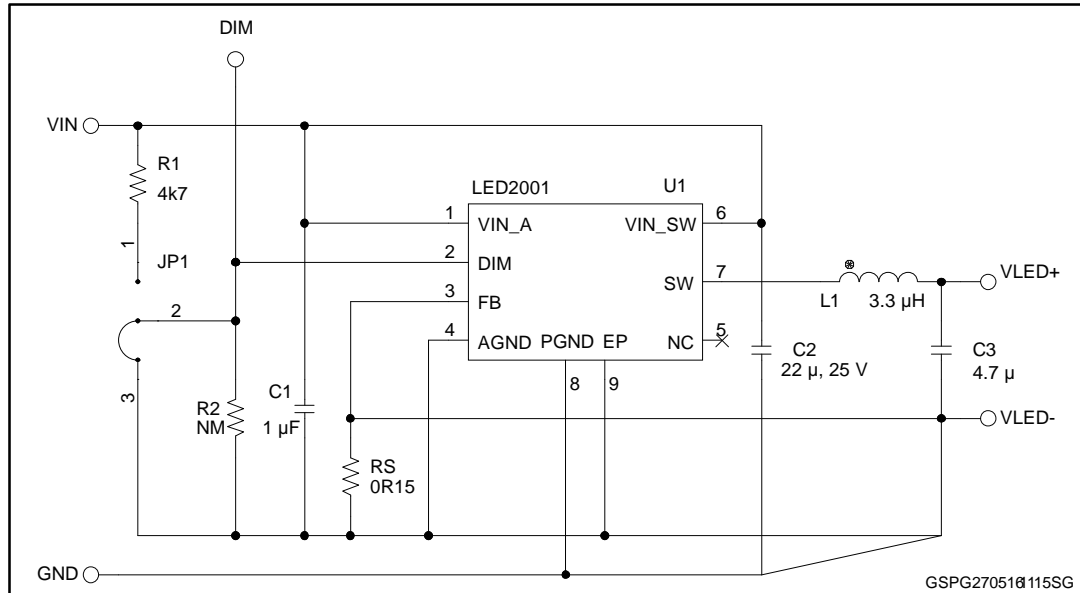
The embedded PWM dimming circuitry features LED brightness control. The regulated output current is set by connecting a sensing resistor to the feedback pin.

The size of the overall application is minimized thanks to the high switching frequency and ceramic output capacitor compatibility.

The device is fully protected against overheating, overcurrent and output short-circuit.

# 1 Schematic diagram

Figure 1: STEVAL-ILL054V2 circuit schematic



## 2 Revision history

Table 1: Document revision history

Date	Version	Changes
01-Aug-2013	1	Initial release.
27-May-2016	2	Updated: Figure 1 STEVAL-ILL054V2 circuit schematic.

**IMPORTANT NOTICE – PLEASE READ CAREFULLY**

STMicroelectronics NV and its subsidiaries ("ST") reserve the right to make changes, corrections, enhancements, modifications, and improvements to ST products and/or to this document at any time without notice. Purchasers should obtain the latest relevant information on ST products before placing orders. ST products are sold pursuant to ST's terms and conditions of sale in place at the time of order acknowledgement.

Purchasers are solely responsible for the choice, selection, and use of ST products and ST assumes no liability for application assistance or the design of Purchasers' products.

No license, express or implied, to any intellectual property right is granted by ST herein.

Resale of ST products with provisions different from the information set forth herein shall void any warranty granted by ST for such product.

ST and the ST logo are trademarks of ST. All other product or service names are the property of their respective owners.

Information in this document supersedes and replaces information previously supplied in any prior versions of this document.

© 2016 STMicroelectronics – All rights reserved