

4

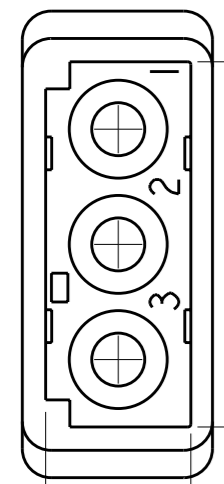
3

2

1

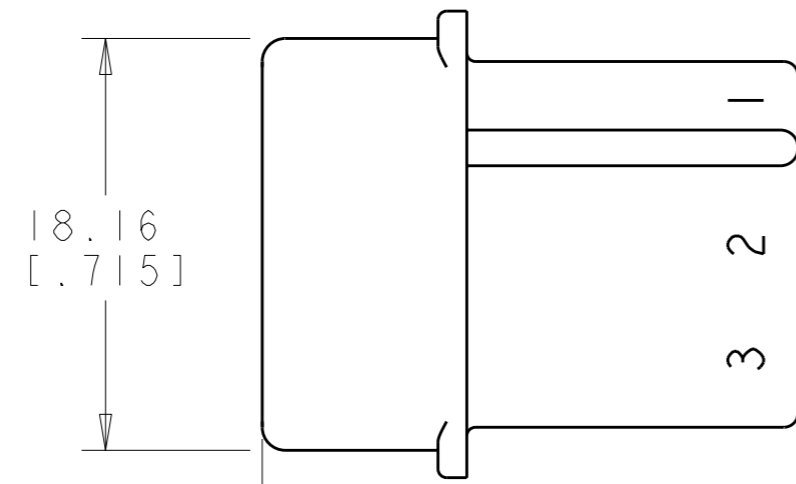
THIS DRAWING IS UNPUBLISHED. RELEASED FOR PUBLICATION 20
 © COPYRIGHT 20 ALL RIGHTS RESERVED.

LOC	DIST	REVISIONS			
P	LTR	DESCRIPTION	DATE	DWN	APVD
CM	00	RI	REVISED PER ECO-11-005294	06APR2011	RK HMR



16.01-16.20
[.630-.638]

6.35-6.47
[.250-.255]

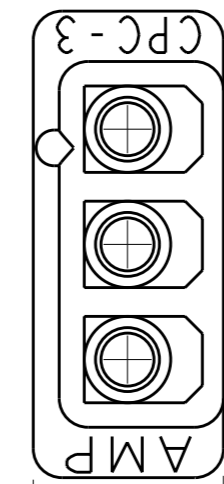


18.16
[.715]

23.62
[.930]



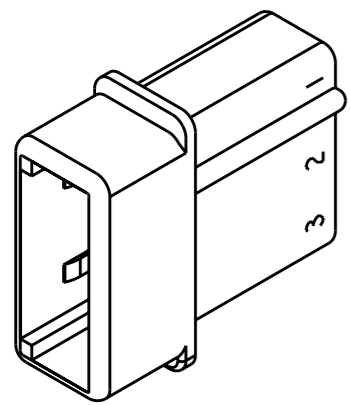
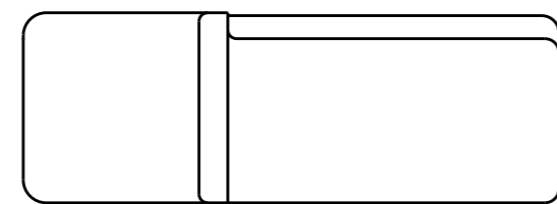
16.13
[.635]



20.57
[.810]

8.26-8.38
[.325-.330]


1. MATES WITH HOUSING 480303 OR 480304.



SCALE 2:1

METRIC

BLACK	1-480305-9
RED	1-480305-2
NATURAL	1-480305-0
COLOR	PART NUMBER

THIS DRAWING IS A CONTROLLED DOCUMENT.		DWN K. WHITAKER 19APR2002	 TE Connectivity	
DIMENSIONS: mm [INCHES]		CHK D. COLEY 19APR2002		
TOLERANCES UNLESS OTHERWISE SPECIFIED:		APVD D. COLEY 19APR2002	NAME CAP, COMMERCIAL MATE-N-LOK™ 3 CIRCUIT	
0 PLC ±- 1 PLC ±- 2 PLC ±0.13 [.005] 3 PLC ±- 4 PLC ±- ANGLES ±0° 30'		PRODUCT SPEC -	SIZE A3	
MATERIAL NYLON, UL94V-2		APPLICATION SPEC -	CAGE CODE 00779	DRAWING NO C-480305
FINISH -		WEIGHT -	RESTRICTED TO -	
CUSTOMER DRAWING		SCALE 3:1		SHEET 1 OF 1
				REV RI