

NOTES:

1) MATERIAL:

HOUSING: NYLON(PA), GLASS FILLED, UL94V-0, COLOR: BLACK
 INSULATOR: NYLON(PA), GLASS FILLED, UL94V-0, COLOR: BLACK
 TERMINALS: PHOSPHOR BRONZE, 0.30 mm THICK
 SHIELD: BRASS, 0.18 mm THICK

2) FINISH:

TERMINALS:

A = SELECT GOLD IN CONTACT AREA: 1.27 MICROMETERS MIN.,
 *SELECT TIN IN PC TAIL AREA: 2.54 MICROMETERS MIN.,
 WITH OVERALL NICKEL UNDERPLATE: 1.27 MICROMETERS MIN.
 B = SELECT GOLD IN CONTACT AREA: 0.76 MICROMETERS MIN.,
 *SELECT TIN IN PC TAIL AREA: 2.54 MICROMETERS MIN.,
 WITH OVERALL NICKEL UNDERPLATE: 1.27 MICROMETERS MIN.

SHIELD:

*2.54 MICROMETERS NICKEL OVER 1.27 MICROMETERS COPPER UNDERPLATE;
 PCB GROUND TABS DIPPED IN TIN
 *THE PRIMARY SHIPPING CARTON WILL BE LABELED "COMPLIANT TO RoHS
 DIRECTIVE 2002/95/EC AND ELV ANNEX II OF DIRECTIVE 2000/53/EC".
 CARTONS WITHOUT THIS LABEL MAY CONTAIN PRODUCT WITH TIN-LEAD
 IN THE PC TAILS AND/OR SHIELD.

3) PRODUCT SPECIFICATION AND PROCESSING PARAMETERS: PS-43249.

4) PACKAGING SPECIFICATION:

UNSHIELDED CONNECTOR ASSEMBLIES PACKAGED IN THERMOFORMED TRAYS
 PER MOLEX PACKAGING SPECIFICATION PK-43249-004.
 UNSHIELDED CONNECTOR ASSEMBLIES PACKAGED IN TUBES
 PER MOLEX PACKAGING SPECIFICATION PK-43249-005.
 SHIELDED CONNECTOR ASSEMBLIES PACKAGED IN THERMOFORMED TRAYS
 PER MOLEX PACKAGING SPECIFICATION PK-44050-004.

5) MATES WITH: MODULAR PLUGS THAT CONFORM TO FCC REGULATION PART 68.5.

6) SEE SHEET 3 FOR SHIELDED JACK ASSEMBLY.

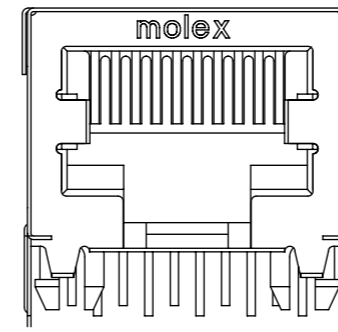
7) SEE SHEETS 5 & 6 FOR P.C. BOARD LAYOUTS.

8) ALL UNTOLERANCED DIMENSIONS ARE SHOWN FOR REFERENCE ONLY.

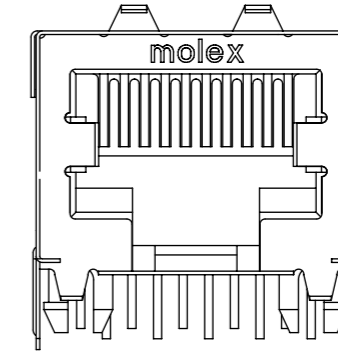
9) THIS PART CONFORMS TO CLASS B REQUIREMENTS OF COSMETIC
 SPECIFICATION PS-45499-002.

10) THIS PART CONFORMS TO FCC REGULATION 68.5 AND TIA 1096 FOR MODULAR
 JACKS.

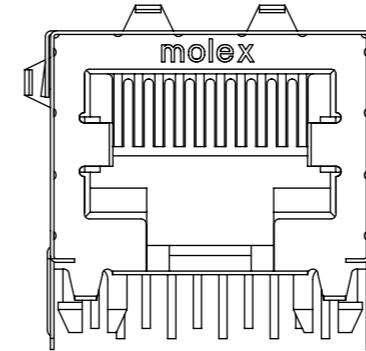
SIDE/TOP GROUND TAB OPTIONS FOR SHIELDS



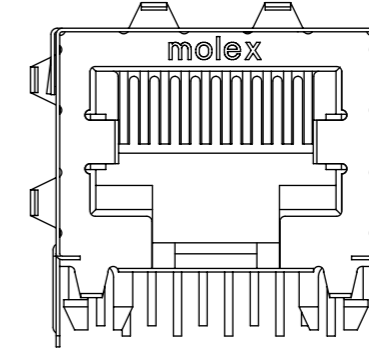
OPTION "A"
NO TOP OR SIDE TABS



OPTION "B"
TOP TABS

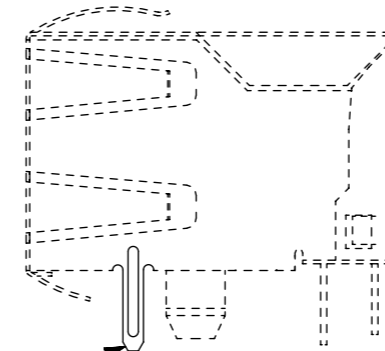


OPTION "C"
TOP AND STAGGERED SIDE TABS

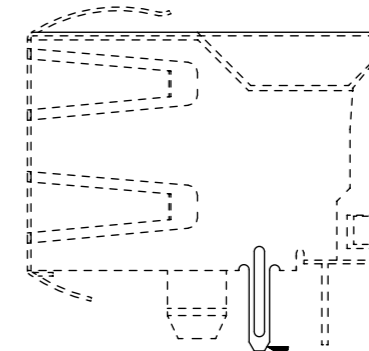


OPTION "D"
TOP AND SIDE TABS

BOTTOM PCB GROUND TAB OPTIONS
FOR SHIELDS



OPTION "E"
OPTIONAL FRONT POSITION



OPTION "F"
OPTIONAL REAR POSITION

NOTE: EITHER PCB GROUND TAB OPTION IS AVAILABLE
ON ALL SIDE/TOP TAB CONFIGURATIONS

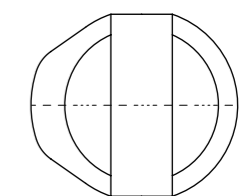
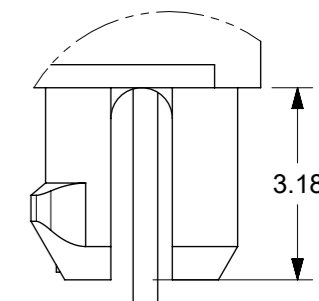
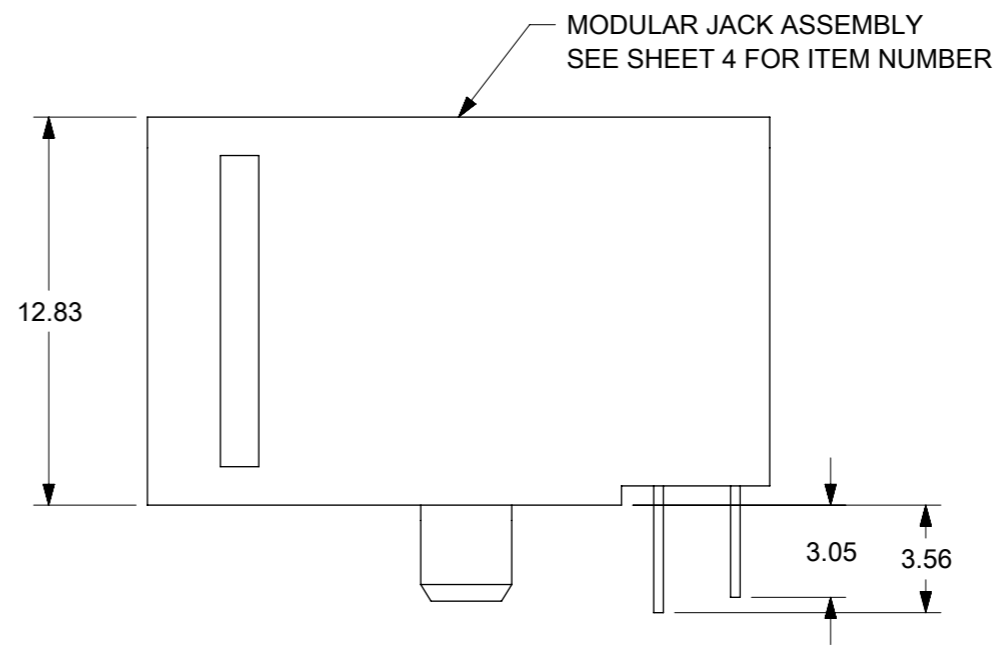
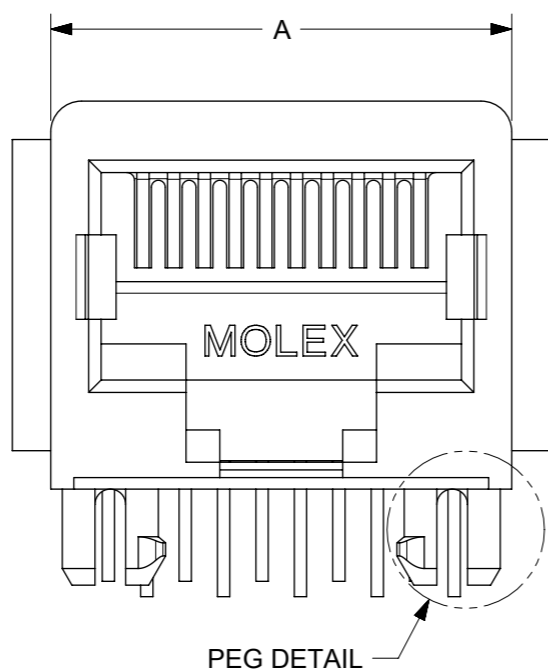
DRAWING LEGEND

- SHEET 1- NOTES; GROUND TAB OPTIONS
- SHEET 2- UNSHIELDED MODULAR JACK
- SHEET 3- SHIELDED MODULAR JACK WITH
OPTIONAL SIDE/TOP GROUND TABS & BOTTOM GROUND
TAB WITH OPTIONAL POSITION.
- SHEET 4- PART NUMBER CHARTS
- SHEET 5- FOOTPRINT LAYOUT FOR 8 POSITION HOUSING
- SHEET 6- FOOTPRINT LAYOUT FOR 6 POSITION HOUSING

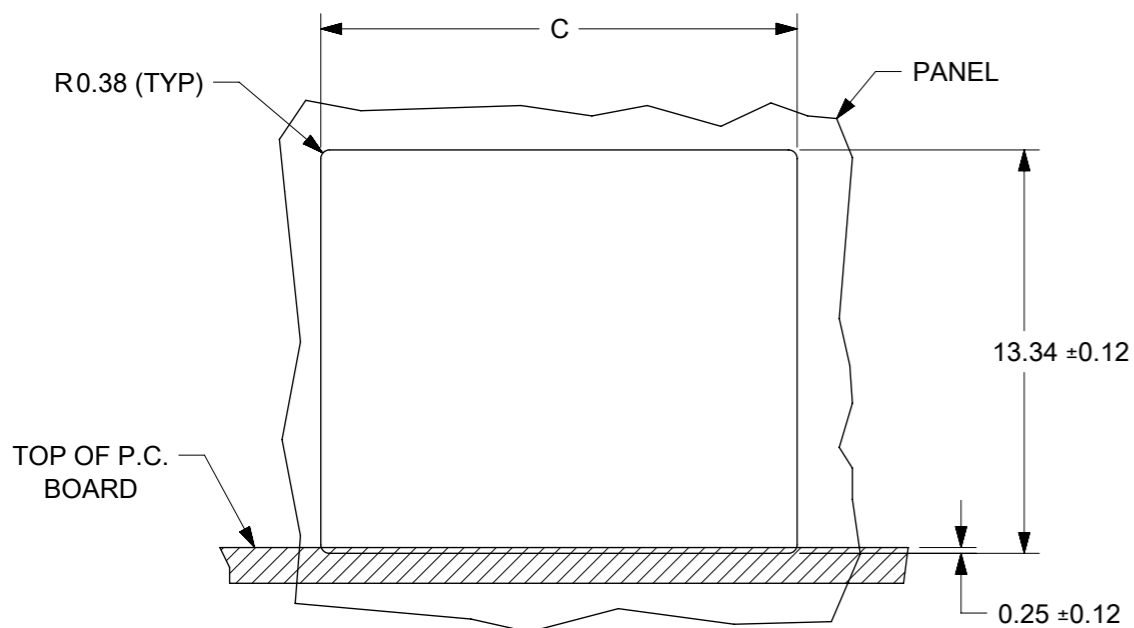
FUNCTIONAL SYMBOLS	THIS DRAWING CONTAINS INFORMATION THAT IS PROPRIETARY TO MOLEX ELECTRONIC TECHNOLOGIES, LLC AND SHOULD NOT BE USED WITHOUT WRITTEN PERMISSION	
	THIS DRAWING CONTAINS INFORMATION THAT IS PROPRIETARY TO MOLEX ELECTRONIC TECHNOLOGIES, LLC AND SHOULD NOT BE USED WITHOUT WRITTEN PERMISSION	CURRENT REV DESC: MIGRATED TO NX
FUNCTIONAL SYMBOLS	DIMENSION UNITS: mm SCALE: 4:1 GENERAL TOLERANCES (UNLESS SPECIFIED): ANGULAR TOL: ± 0.5° 4 PLACES ± 3 PLACES ± 2 PLACES ± 0.25 1 PLACE ± 0 PLACES ±	EC NO: 705669 DRWN: KKUMARB 2020/07/07 CHK'D: KLANG 2022/05/23 APPR: KLANG 2022/05/23 INITIAL REVISION: DRWN: RFC_PLMIMP 2020/08/19 APPR: REDGLEY 2000/08/11
DIVISIONAL SYMBOLS	DRAFT WHERE APPLICABLE MUST REMAIN WITHIN DIMENSIONS THIRD ANGLE PROJECTION DRAWING: A3-SIZE SERIES: 43249	PRODUCT CUSTOMER DRAWING DOCUMENT NUMBER: SDA-43249 DOC TYPE: PSD DOC PART: 001 REVISION: K3 MATERIAL NUMBER: SEE SHEET 4 CUSTOMER: GENERAL MARKET SHEET NUMBER: 1 OF 6

UNSHIELDED MODULAR JACK

8 POSITION LOADED 10 SIZE SHOWN

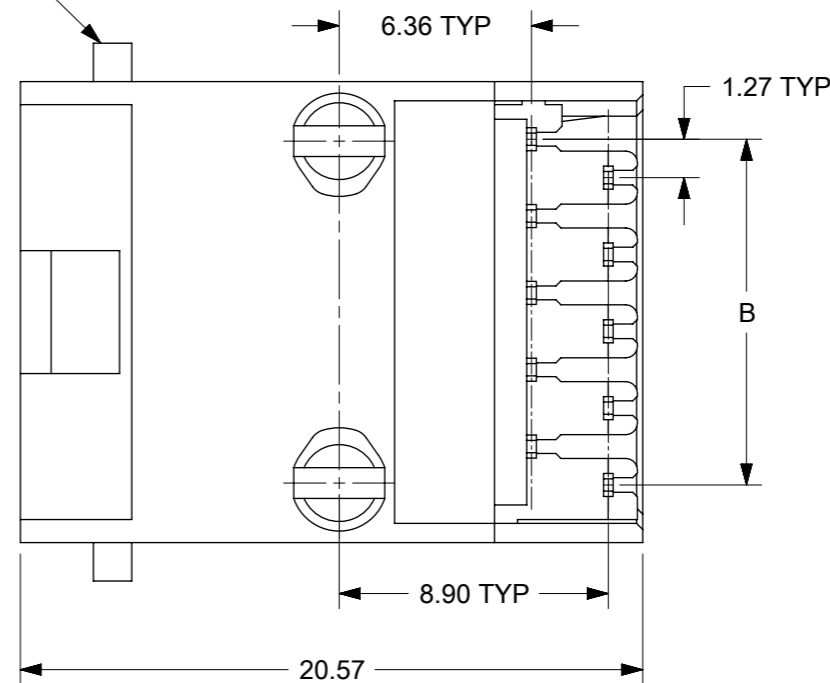


PEG DETAIL
SCALE 8:1



PANEL CUT-OUT (UNSHIELDED)

OPTIONAL FLANGE
USED FOR FLUSH
MODULAR JACK

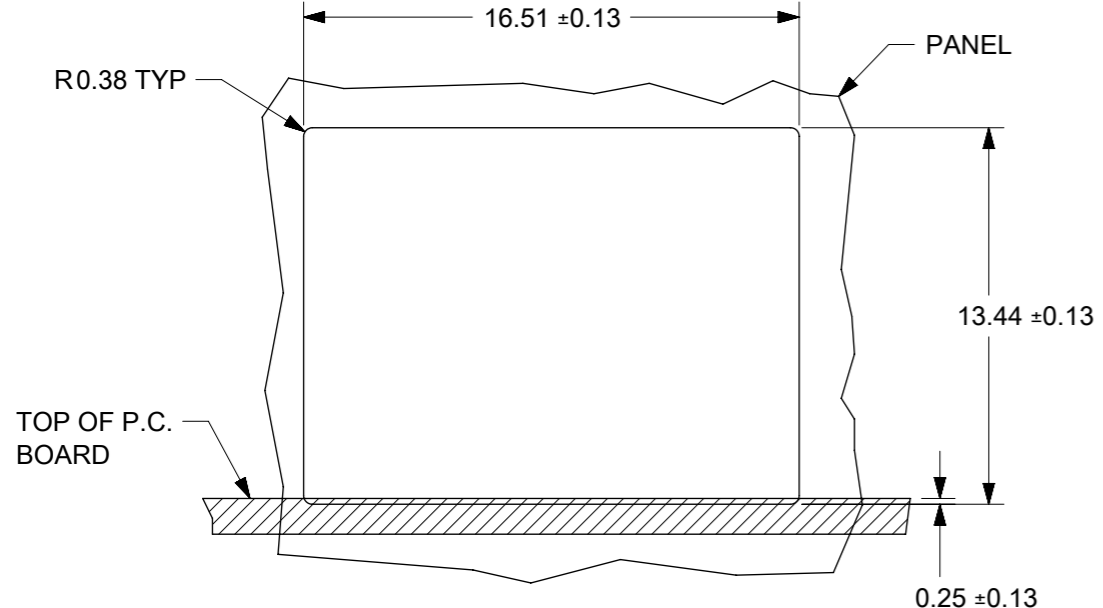
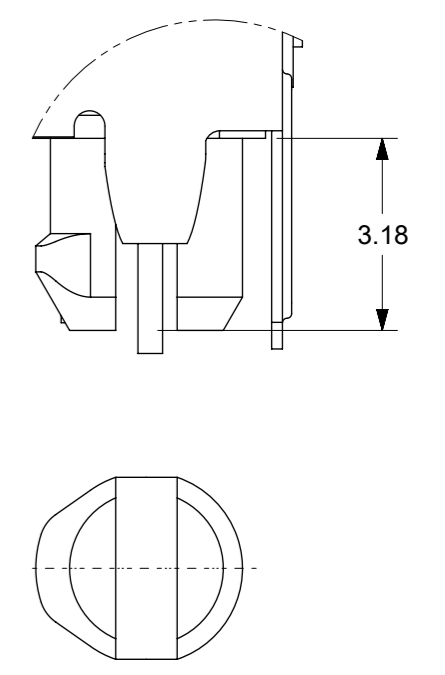
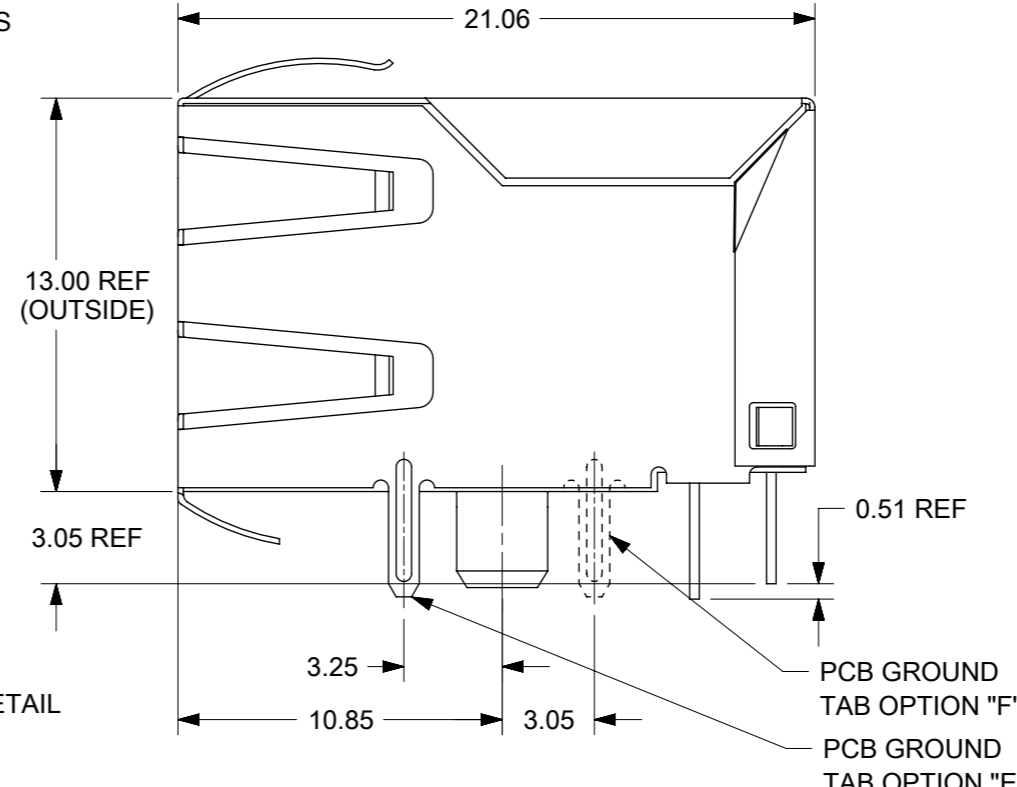
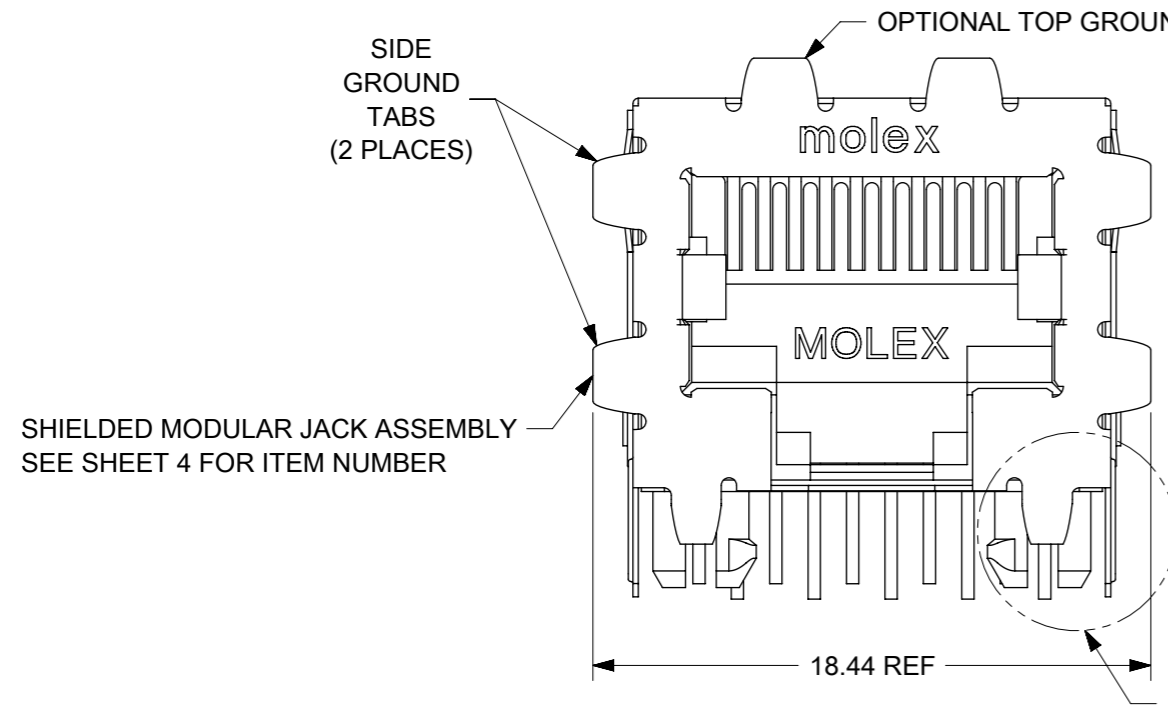


HOUSING SIZE	CIRCUIT SIZE	DIM. A	DIM. B	DIM. C
8	10	15.24±0.13	11.43±0.13	15.75±0.13
8	8	15.24±0.13	8.89±0.13	15.75±0.13
8	4	15.24±0.13	3.81±0.13	15.75±0.13
8	6	15.24±0.13	6.35±0.13	15.75±0.13
6	6	13.21±0.13	6.35±0.13	13.72±0.13
6	4	13.21±0.13	3.81±0.13	13.72±0.13
6	2	13.21±0.13	1.27±0.13	13.72±0.13

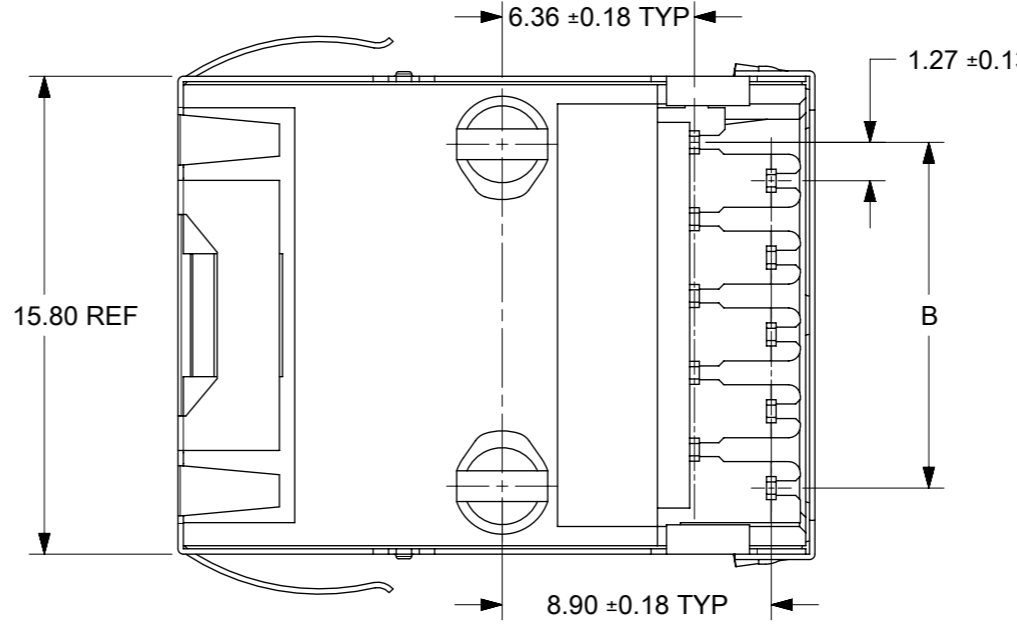
FUNCTIONAL SYMBOLS ∇/A = 0 ∇/E = 0 ∇/V = 0	THIS DRAWING CONTAINS INFORMATION THAT IS PROPRIETARY TO MOLEX ELECTRONIC TECHNOLOGIES, LLC AND SHOULD NOT BE USED WITHOUT WRITTEN PERMISSION	CURRENT REV DESC: MIGRATED TO NX											
	DIMENSION UNITS: mm	SCALE: 4:1	GENERAL TOLERANCES (UNLESS SPECIFIED)										
DIVISIONAL SYMBOLS	ANGULAR TOL ± 0.5°		EC NO: 705669										
	4 PLACES ±	DRWN: KKUMARB		2020/07/07									
	3 PLACES ±	CHK'D: KLANG		2022/05/23									
	2 PLACES ± 0.25	APPR: KLANG		2022/05/23									
	1 PLACE ±	INITIAL REVISION:		PRODUCT CUSTOMER DRAWING									
0 PLACES ±	DRWN: RFC_PLMIMP		2020/08/19		DOCUMENT NUMBER								
DRAFT WHERE APPLICABLE MUST REMAIN WITHIN DIMENSIONS		THIRD ANGLE PROJECTION		DRAWING		SERIES		MATERIAL NUMBER		CUSTOMER		SHEET NUMBER	
				A3-SIZE		43249		SEE SHEET 4		GENERAL MARKET		2 OF 6	

MODULAR JACK W/ .007" THICK SHIELD AND OPTIONAL GROUND TABS

8 LOADED 10 VERSION SHOWN WITH GROUND TAB OPTIONS "D" AND "E"



PANEL CUT-OUT (SHIELDED)



DESCRIPTION OF GROUND TAB OPTIONS:
(SEE SHEET 4 FOR AVAILABLE COMBINATIONS OF OPTIONS)

GROUND TAB OPTION	DESCRIPTION
A	NO GROUND TABS
B	TOP TABS ONLY
C	STAGGERED SIDE TABS
D	TOP AND SIDE TABS
E	PCB GROUND TAB IN FRONT POSITION
F	PCB GROUND TAB IN REAR POSITION

HOUSING SIZE	CIRCUIT SIZE	B
8	10	11.43±0.13
8	8	8.89±0.13

DOCUMENT STATUS | P1 | RELEASE DATE | 2022/05/23 17:01:26

FUNCTIONAL SYMBOLS	THIS DRAWING CONTAINS INFORMATION THAT IS PROPRIETARY TO MOLEX ELECTRONIC TECHNOLOGIES, LLC AND SHOULD NOT BE USED WITHOUT WRITTEN PERMISSION	CURRENT REV DESC: MIGRATED TO NX						
	DIMENSION UNITS: mm SCALE: 4:1 GENERAL TOLERANCES (UNLESS SPECIFIED): ANGULAR TOL ± 0.5°	EC NO: 705669 DRWN: KKUMARB 2020/07/07 CHK'D: KLANG 2022/05/23 APPR: KLANG 2022/05/23	EC NO: 705669 DRWN: RFC_PLMIMP 2020/08/19 APPR: REDGLEY 2000/08/11			PRODUCT CUSTOMER DRAWING		
DIVISIONAL SYMBOLS	4 PLACES ± 3 PLACES ± 2 PLACES ± 0.25 1 PLACE ± 0 PLACES ±	DRAFT WHERE APPLICABLE MUST REMAIN WITHIN DIMENSIONS	THIRD ANGLE PROJECTION	DRAWING: A3-SIZE	SERIES: 43249	MATERIAL NUMBER: SEE SHEET 4	CUSTOMER: GENERAL MARKET	SHEET NUMBER: 3 OF 6

F
E
D
C
B
A


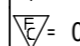
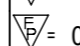

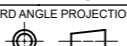
F
E
D
C
B
A

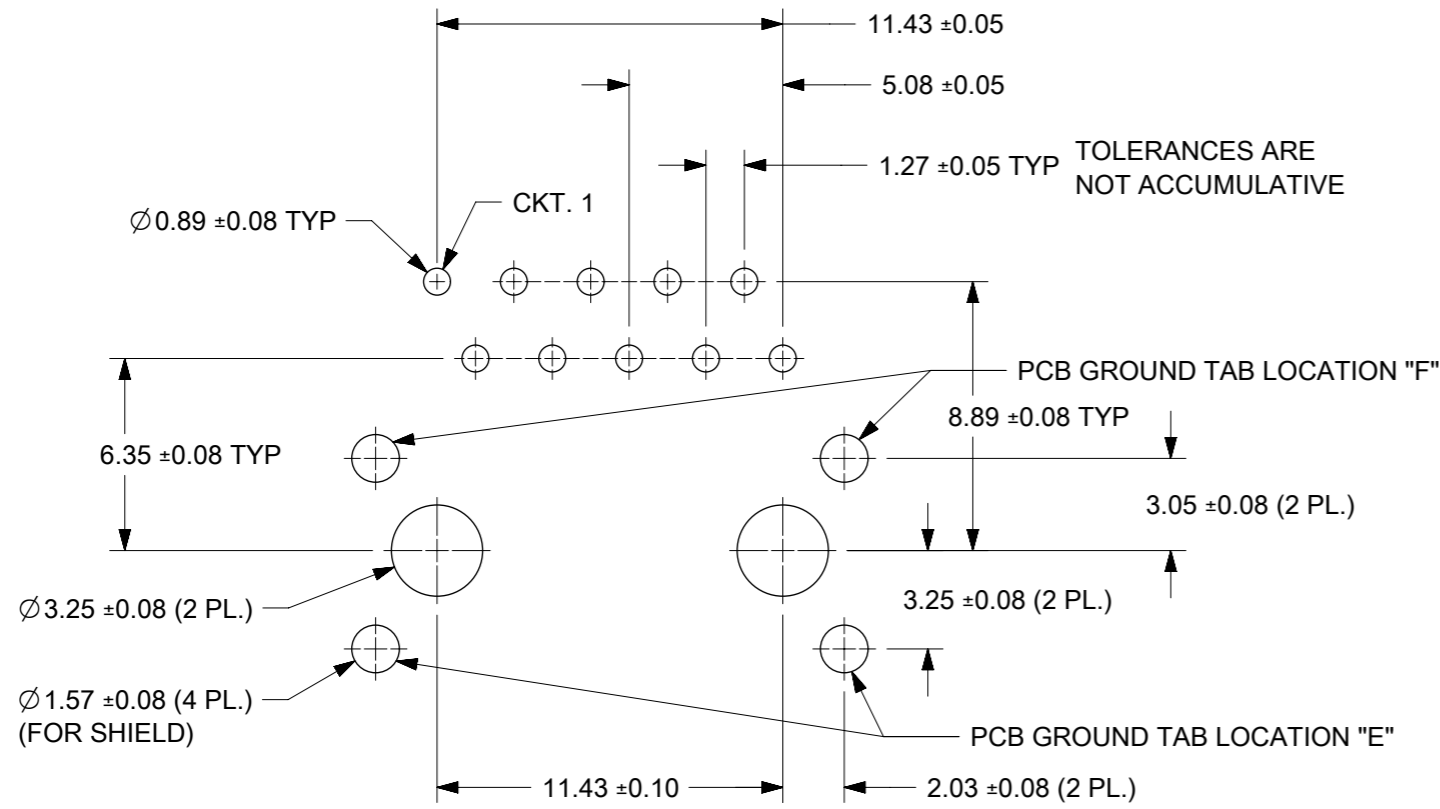
FLUSH MOUNT (UNSHIELDED)				
"X"=NOT TOOLED	ASSEMBLY ITEM NUMBER	CONNECTOR SIZE	NUMBER OF CIRCUITS	TERMINAL PLATING OPTION
X	43249-8001	8	10	A
	43249-8004	8	8	A
X	43249-8010	8	6	A
	43249-6001	6	6	A
X	43249-6004	6	4	A
X	43249-6007	6	2	A

FLANGELESS (UNSHIELDED)				
"X"=NOT TOOLED	ASSEMBLY ITEM NUMBER	CONNECTOR SIZE	NUMBER OF CIRCUITS	TERMINAL PLATING OPTION
X	43249-8101	8	10	A
X	43249-8102	8	10	B
	43249-8104	8	8	A
X	43249-8105	8	8	B
X	43249-8116	8	6	A
X	43249-8119	8	4	A
	43249-6101	6	6	A
	43249-6104	6	4	A
X	43249-6107	6	2	A

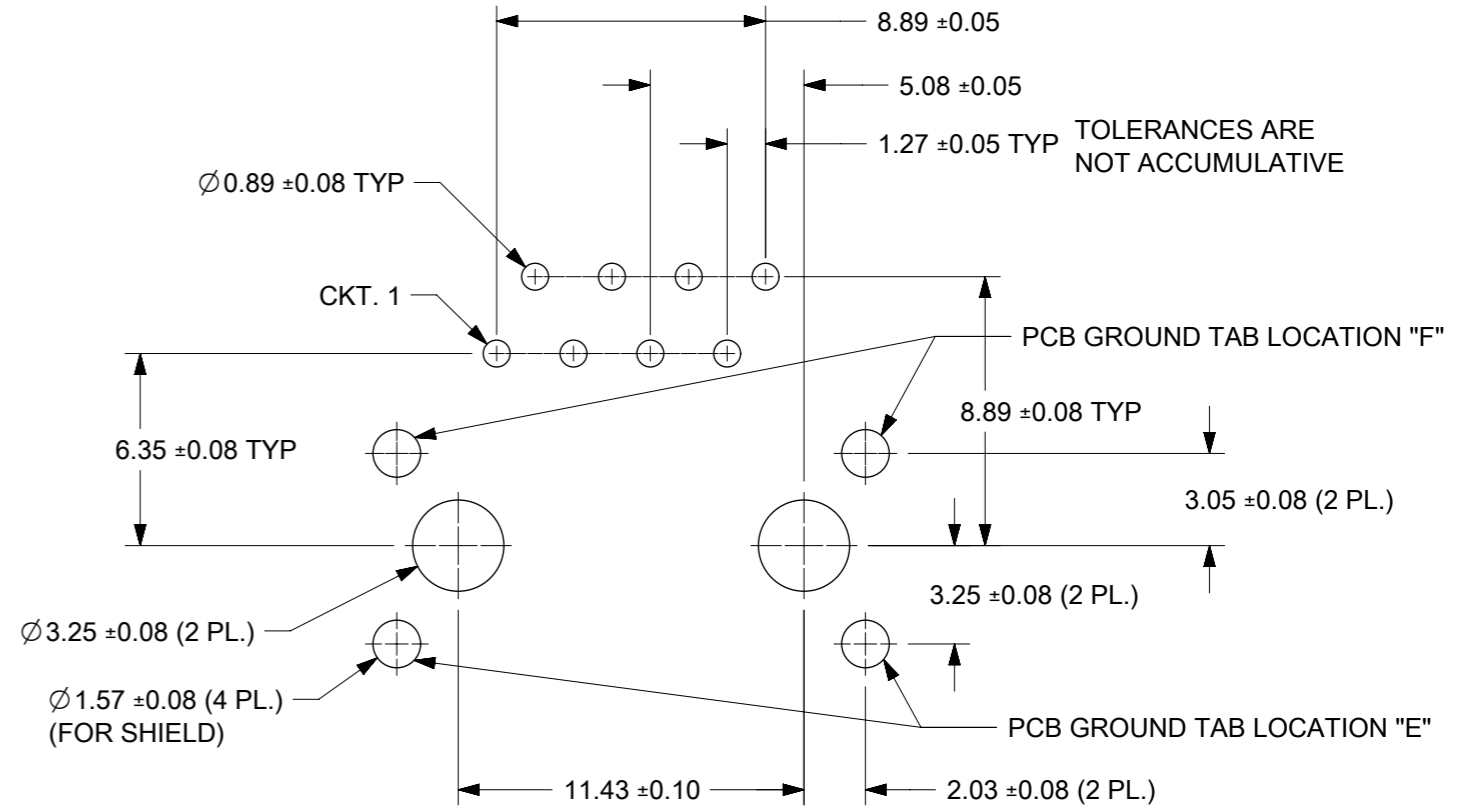
FLANGELESS (UNSHIELDED) (SHIPPED IN TUBES)				
"X"=NOT TOOLED	ASSEMBLY ITEM NUMBER	CONNECTOR SIZE	NUMBER OF CIRCUITS	TERMINAL PLATING OPTION
X	43249-6501	6	6	A
X	43249-6504	6	4	A

SHIELDED, 0.18mm THICK							
"X"=NOT TOOLED	ASSEMBLY ITEM NUMBER	CONNECTOR SIZE	NUMBER OF CIRCUITS	TERMINAL PLATING OPTION	SIDE/TOP PANEL GROUND TAB OPTION	PCB GROUND TAB OPTION	PACKAGING OPTION
	43249-8900	8	10	A	A	E	TRAY
X	43249-8901	8	10	A	B	E	TRAY
X	43249-8902	8	10	A	C	E	TRAY
X	43249-8903	8	10	A	D	E	TRAY
	43249-8908	8	10	A	A	F	TRAY
	43249-8909	8	10	A	B	F	TRAY
X	43249-8910	8	10	A	C	F	TRAY
	43249-8911	8	10	A	D	F	TRAY
	43249-8916	8	8	A	A	E	TRAY
	43249-8917	8	8	A	B	E	TRAY
X	43249-8918	8	8	A	C	E	TRAY
	43249-8919	8	8	A	D	E	TRAY
X	43249-8920	8	8	B	A	E	TRAY
	43249-8924	8	8	A	A	F	TRAY
X	43249-8925	8	8	A	B	F	TRAY
X	43249-8926	8	8	A	C	F	TRAY
	43249-8927	8	8	A	D	F	TRAY

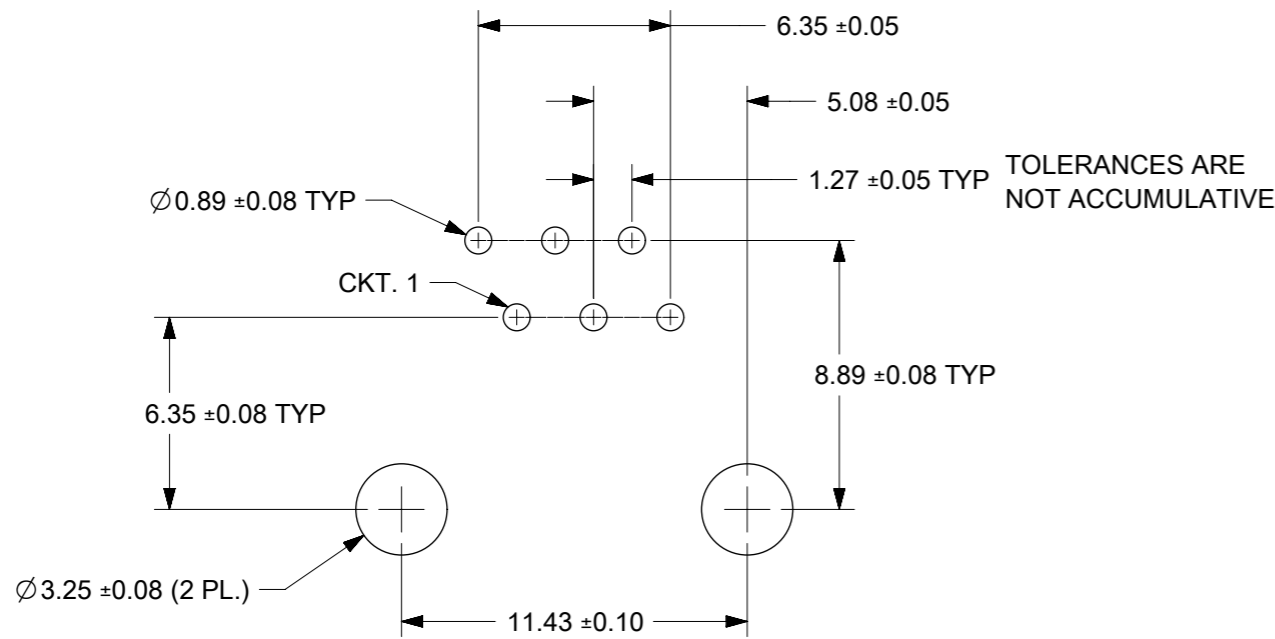
FUNCTIONAL SYMBOLS  = 0  = 0  = 0 DIVISIONAL SYMBOLS	THIS DRAWING CONTAINS INFORMATION THAT IS PROPRIETARY TO MOLEX ELECTRONIC TECHNOLOGIES, LLC AND SHOULD NOT BE USED WITHOUT WRITTEN PERMISSION CURRENT REV DESC: MIGRATED TO NX	SCALE DIMENSION UNITS: mm SCALE: 1:1	 LOW PROFILE RIGHT ANGLE MODULAR JACK ASSEMBLY PRODUCT CUSTOMER DRAWING	
	GENERAL TOLERANCES (UNLESS SPECIFIED) ANGULAR TOL ± 0.5° 4 PLACES ± 3 PLACES ± 2 PLACES ± 0.25 1 PLACE ± 0 PLACES ±	EC NO: 705669 DRWN: KKUMARB 2020/07/07 CHK'D: KLANG 2022/05/23 APPR: KLANG 2022/05/23		DOCUMENT NUMBER: SDA-43249 DOC TYPE: PSD DOC PART: 001 REVISION: K3
	DRAFT WHERE APPLICABLE MUST REMAIN WITHIN DIMENSIONS THIRD ANGLE PROJECTION 	DRAWING: A3-SIZE SERIES: 43249 MATERIAL NUMBER: SEE CHART CUSTOMER: GENERAL MARKET		SHEET NUMBER: 4 OF 6



PC BOARD LAYOUT FOR SIZE 8, 10 CIRCUIT
(COMPONENT SIDE OF BOARD)



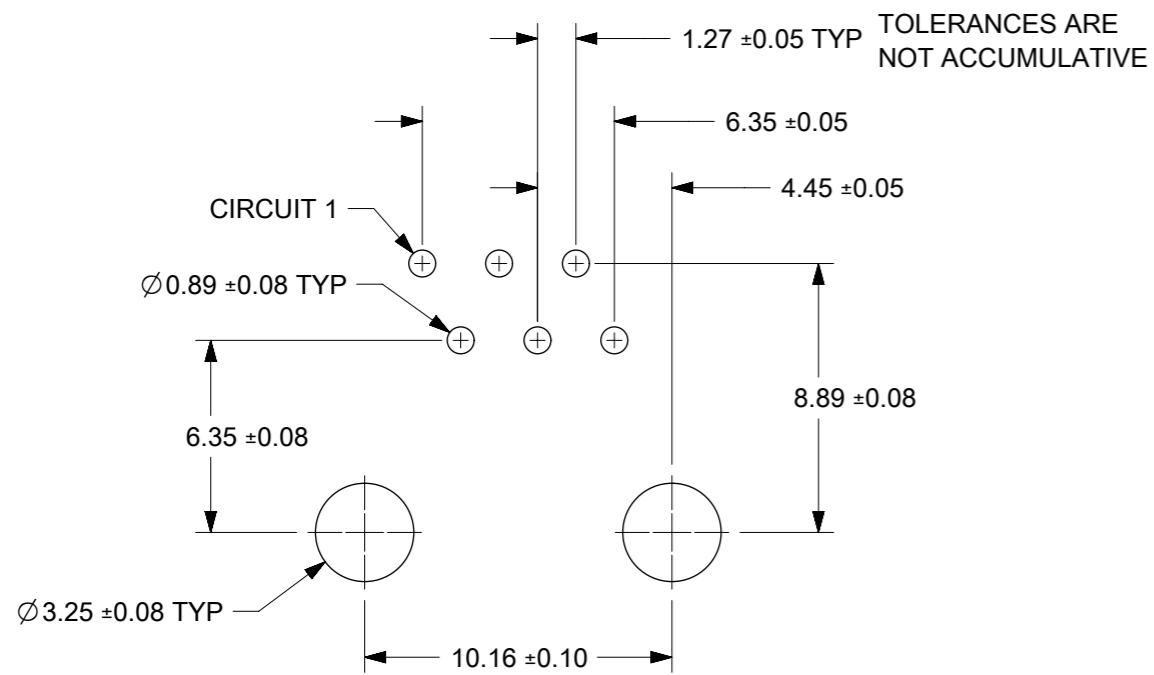
PC BOARD LAYOUT FOR SIZE 8, 8 CIRCUIT
(COMPONENT SIDE OF BOARD)



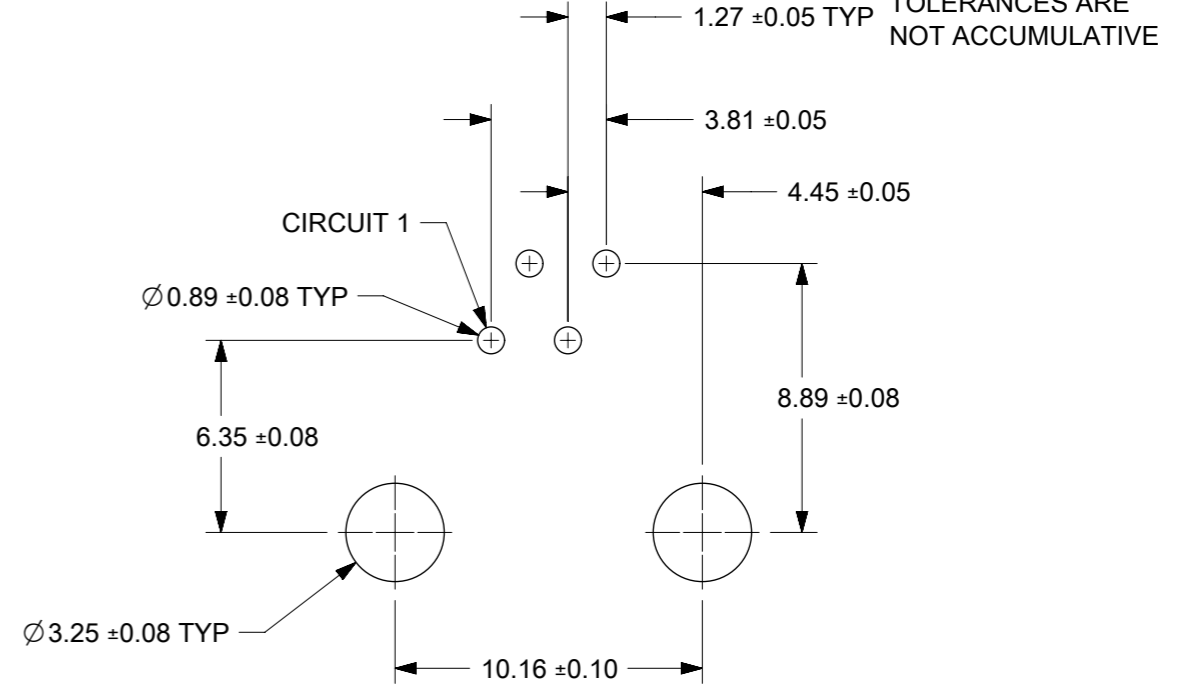
PC BOARD LAYOUT FOR SIZE 8, 6 CIRCUIT
(COMPONENT SIDE OF BOARD)

NOTES:
1. RECOMMENDED PCB THICKNESS: 1.57±0.13 mm.

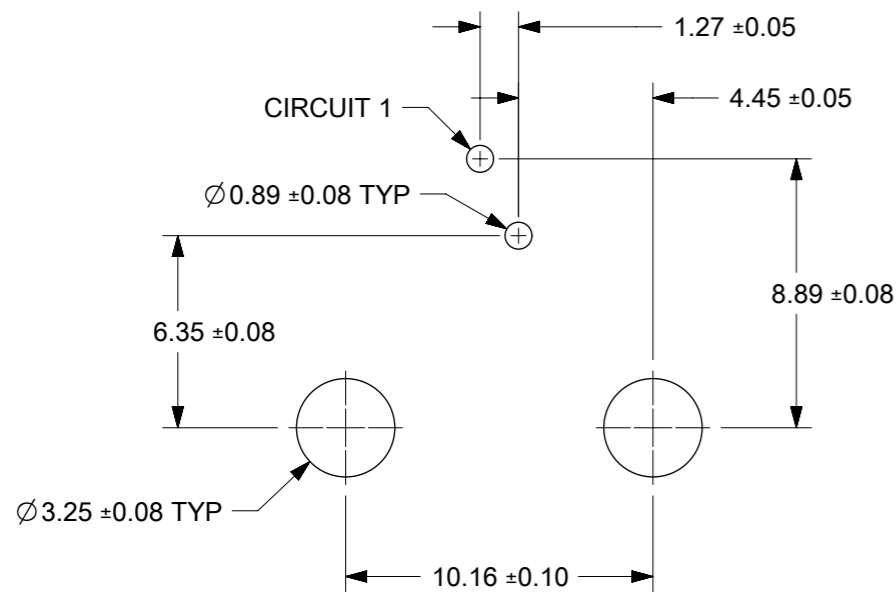
FUNCTIONAL SYMBOLS	THIS DRAWING CONTAINS INFORMATION THAT IS PROPRIETARY TO MOLEX ELECTRONIC TECHNOLOGIES, LLC AND SHOULD NOT BE USED WITHOUT WRITTEN PERMISSION		CURRENT REV DESC: MIGRATED TO NX		molex		
	FUNCTIONAL SYMBOLS	THIS DRAWING CONTAINS INFORMATION THAT IS PROPRIETARY TO MOLEX ELECTRONIC TECHNOLOGIES, LLC AND SHOULD NOT BE USED WITHOUT WRITTEN PERMISSION	CURRENT REV DESC: MIGRATED TO NX	CURRENT REV DESC: MIGRATED TO NX			
GENERAL TOLERANCES (UNLESS SPECIFIED)	mm	4:1	EC NO: 705669		PRODUCT CUSTOMER DRAWING		
ANGULAR TOL	± 0.5°		DRWN: KKUMARB	2020/07/07	DOCUMENT NUMBER		
4 PLACES	±		CHK'D: KLANG	2022/05/23	SDA-43249		
3 PLACES	±		APPR: KLANG	2022/05/23	DOC TYPE	DOC PART	REVISION
2 PLACES	± 0.25		INITIAL REVISION:		PSD 001 K3		
1 PLACE	±		DRWN: RFC_PLMIMP	2020/08/19	MATERIAL NUMBER		
0 PLACES	±		APPR: REDGLE	2000/08/11	CUSTOMER		
DRAFT WHERE APPLICABLE MUST REMAIN WITHIN DIMENSIONS	THIRD ANGLE PROJECTION	DRAWING	SERIES	MATERIAL NUMBER	CUSTOMER	SHEET NUMBER	
		A3-SIZE	43249	SEE SHEET 4	GENERAL MARKET	5 OF 6	



PC BOARD LAYOUT FOR SIZE 6, 6 CIRCUIT
(COMPONENT SIDE OF BOARD)



PC BOARD LAYOUT FOR SIZE 6, 4 CIRCUIT
(COMPONENT SIDE OF BOARD)



PC BOARD LAYOUT FOR SIZE 6, 2 CIRCUIT
(COMPONENT SIDE OF BOARD)

NOTES:
1. RECOMMENDED PCB THICKNESS: 1.57±0.13 mm.

FUNCTIONAL SYMBOLS	THIS DRAWING CONTAINS INFORMATION THAT IS PROPRIETARY TO MOLEX ELECTRONIC TECHNOLOGIES, LLC AND SHOULD NOT BE USED WITHOUT WRITTEN PERMISSION		CURRENT REV DESC: MIGRATED TO NX			molex		
	△/A = 0	mm						
DIVISIONAL SYMBOLS	GENERAL TOLERANCES (UNLESS SPECIFIED)		EC NO: 705669			2020/07/07		
	△/E = 0	ANGULAR TOL ± 0.5°	DRWN: KKUMARB			2022/05/23		
DIVISIONAL SYMBOLS	△/F = 0	4 PLACES ±	CHK'D: KLANG			2022/05/23		
	△/G = 0	3 PLACES ±	APPR: KLANG			2022/05/23		
	△/H = 0	2 PLACES ± 0.25	INITIAL REVISION:			DOCUMENT NUMBER		
	△/I = 0	1 PLACE ±	DRWN: RFC_PLMIMP			SDA-43249		
	0 PLACES ±	APPR: REDGLE	2020/08/19			DOC TYPE DOC PART REVISION		
DRAFT WHERE APPLICABLE MUST REMAIN WITHIN DIMENSIONS		THIRD ANGLE PROJECTION	DRAWING	SERIES	MATERIAL NUMBER	CUSTOMER	SHEET NUMBER	
			A3-SIZE	43249	SEE SHEET 4	GENERAL MARKET	6 OF 6	