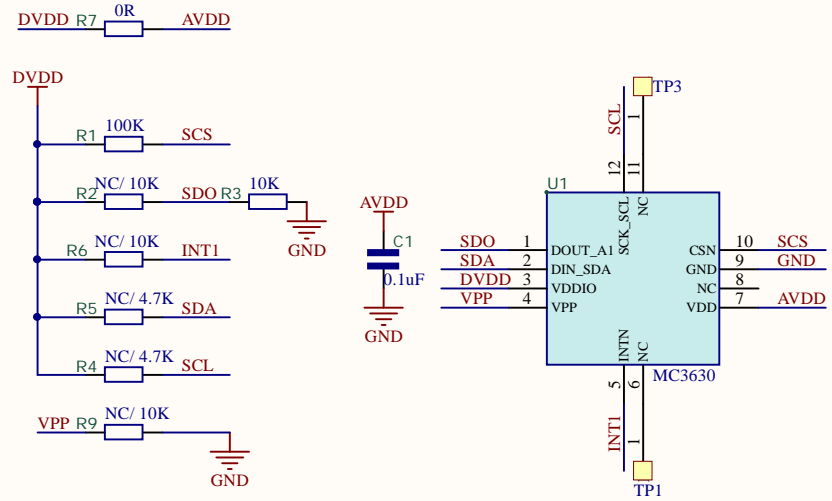


SDO	MISO1	P1	SDO	SCS	10	NSS	SCS
INT1	INT1	2	TEST	DVDD	9	VDD_3V3	DVDD
AVDD		3	AVDD	GND	8	GND	GND
VPP		4	VPP	SDA	7	MOSI	SDA
INT2	INT2	5	INTN	SCL	6	SCK	SCL



Title		
Size	Number	Revision
A4		
Date:	2021/12/30	Sheet of
File:	C:\Users\...EV3630B_REV_A_20201027\DWG\BOM	