

REFERENCE:

MATERIAL:

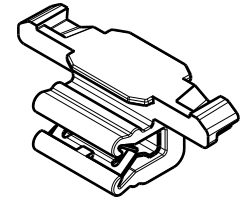
- ① EDGE CLIP HOUSING: PA66HIRHS
COLOR: BLACK
- ② INSERT: SPRING STEEL

RECOMMENDED PANEL THICKNESS RANGE: 1.0 - 3.0mm

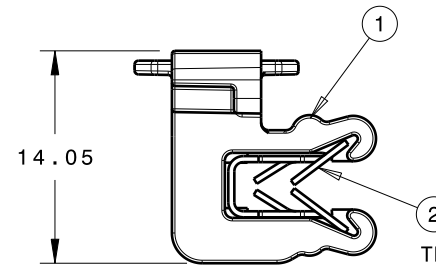
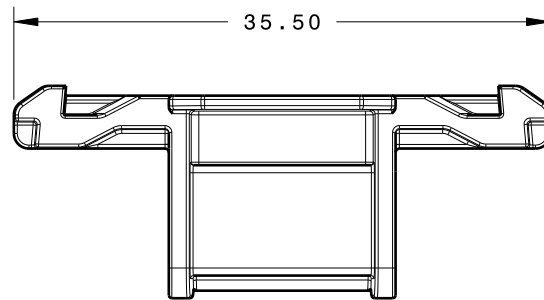
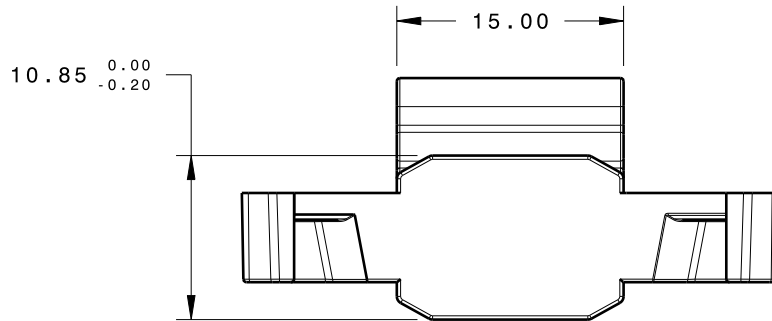
CLIP TO SLOT (USCAR EWCAP-005-011 CLONNECTOR CLIP SLOT)

INSERTION FORCE: 60 N (13.48 LBS)

EXTRACTION FORCE: 110 N (24.73 LBS)



Isometric view
Scale: 1:1



TE4-511-000-K

INVENTORS

HellermannTyton®

ALL PROPRIETARY RIGHTS IN THE SUBJECT MATTER SHOWN ON THIS DRAWING ARE EXCLUSIVE PROPERTY OF HELLERMANN TYTON

name	date	city, state
S. ADAMS	4/6/12	MENOMONEE FALLS, WI.

REVISIONS

level	by	date	ECN #	part level
01	SJA	4/6/12	012070	A

DIMENSIONS

TOLERANCES	units
.XXXX = ± 0.25	millimeters
.XXX = ± 0.50	
.XX = ± 1.00	
.X = ± 2.00	
∠ = ± 1.00	
unless otherwise specified	

PART

number	EC46	phase	PRODUCTION
name	EDGE CLIP WITH DUAL CONNECTOR SLOTS		
material	PA66HIRHS COLOR: BLACK		

DRAWING

FORMAT	AH	CAD	CATIA V5	SCALE	2:1
VERSION	J				
A- SIZE (landscape)_N01	previous drawing number				
drawn	S. ADAMS	checked	M. TOLL	approved	
	4/6/12		4/6/12		
type	CUSTOMER		sheet 1 of 1		
number	12-0021-001-CSU				