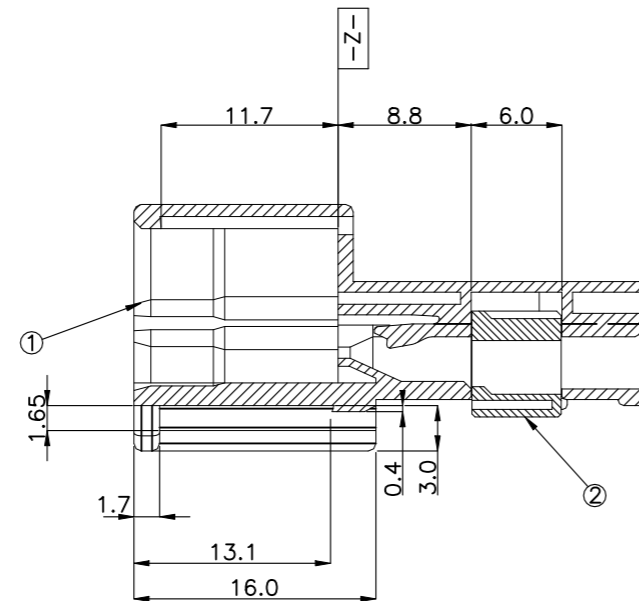
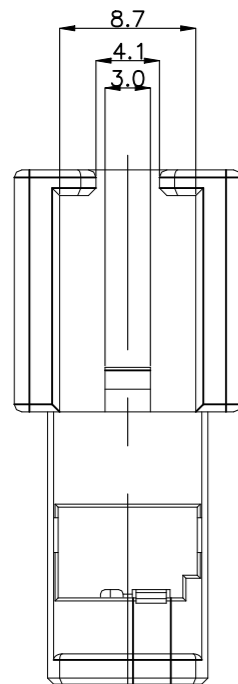
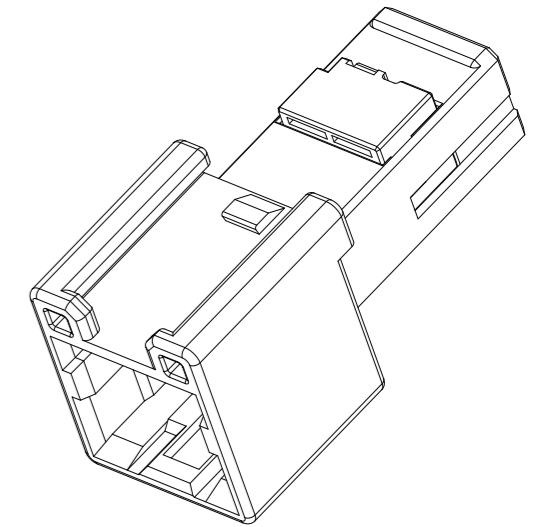
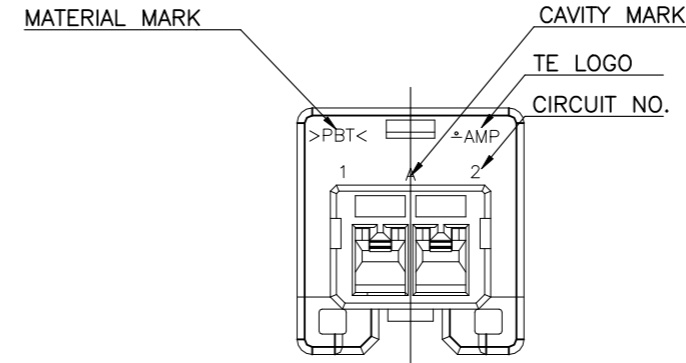
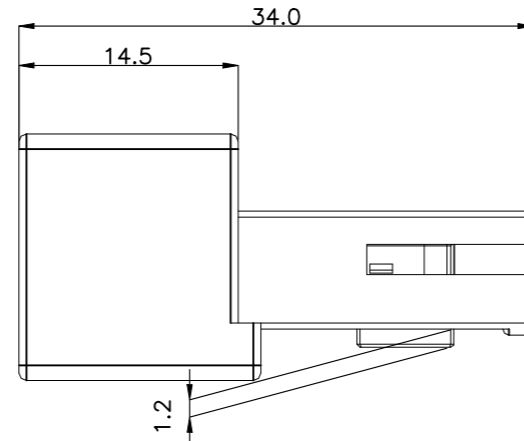
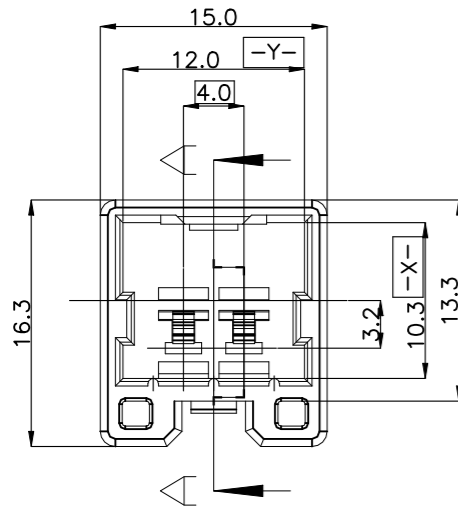


P	LTR	DESCRIPTION	DATE	DWN	APVD
	A3	ECR-22-158658	17NOV2022	AV	YJ



NOTES.

1. THE MATING HSG. P/N ; 936224
2. APPLIED CONTACT P/N ; 090 II TAB.- 368086,368087,368088,1897752

-주기-

1. 상대 하우징 P/N. ; 936224
2. 적용단자 P/N. ; 090 II TAB.- 368086,368087,368088,1897752

NO	COLOR	MATERIAL	DESCRIPTION	P/N	QTY
1	BLUE	PBT	CAP	0-936237-8	1
	YELLOW	PBT	CAP	0-936237-5	1
	BROWN	PBT	CAP	0-936237-4	1
	D/GRAY	PBT	CAP	0-936237-3	1
	BLACK	PBT	CAP	0-936237-2	1
	NATURAL	PBT	CAP	0-936237-1	1
2	NATURAL	PBT	DBL	0-936226-1	1 1 1 1 1 1

ASSY P/N
0-936236-8
0-936236-5
0-936236-4
0-936236-3
0-936236-2
0-936236-1

SECTION A-A

THIS DRAWING IS A CONTROLLED DOCUMENT.

DIMENSIONS: mm	TOLERANCES UNLESS OTHERWISE SPECIFIED:
	0 PLC ± -
	1 PLC ± -
	2 PLC ± -
	3 PLC ± -
	4 PLC ± -
	ANGLES ± -
MATERIAL SEE TABLE	FINISH -

TOLERANCE UNLESS OTHERWISE SPECIFIED	
0<XX<10	±0.2
10<XX<30	±0.25
30<XX	±0.3
ANGLES	±3°

DWN KT JUNG	TE Connectivity		
CHK JW JUNG	090III 2P CAP ASS'Y		
APVD HG CHO	NAME	SIZE	RESTRICTED TO
PRODUCT SPEC		A3 00779	
APPLICATION SPEC	DRAWING NO	CAGE CODE	
	G-936236	00779	
WEIGHT 0	CUSTOMER DRAWING	SCALE 1:1	SHEET 1 OF 1
			REV A3