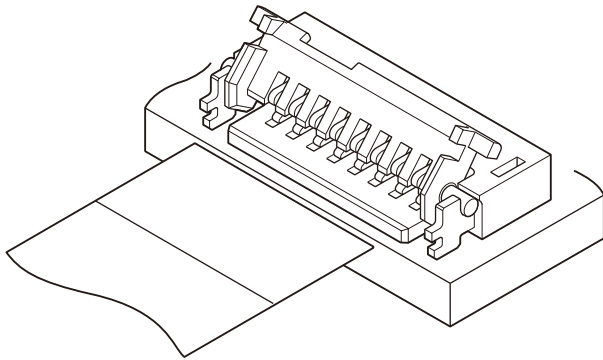


# FHS CONNECTOR

0.5mm pitch/Connectors for FPC



**FHS connector is a space-saving type connector for FPC with 3.1mm depth, though it is low profile of 0.9mm mounting height. 0.2mm thick standard FPC.**

- **Space saving design**
- **Heat resisting design suitable for surface mounting**
- **Self-lock mechanism enables the cover to close by one-touch operation**

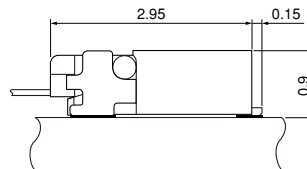
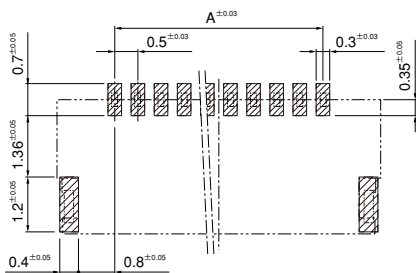
## Specifications

- Current rating: 0.5A AC, DC
  - Voltage rating: 50V AC, DC
  - Temperature range: -25°C to +85°C  
(including temperature rise in applying electrical current)
  - Contact resistance: Initial value/60m Ω max.  
After environmental testing/60m Ω max.  
(variation from initial value)
  - Insulation resistance: 800M Ω min.
  - Withstanding voltage: 200V AC/minute
  - Applicable FPC: Conductor pitch/0.5mm  
Conductor width/0.35mm  
Mating part thickness/0.2±0.03mm
- \* Compliant with RoHS.  
\* Refer to "General Instruction and Notice when using Terminals and Connectors" at the end of this catalog.  
\* Contact JST for details.

## Standards

Recognized E60389

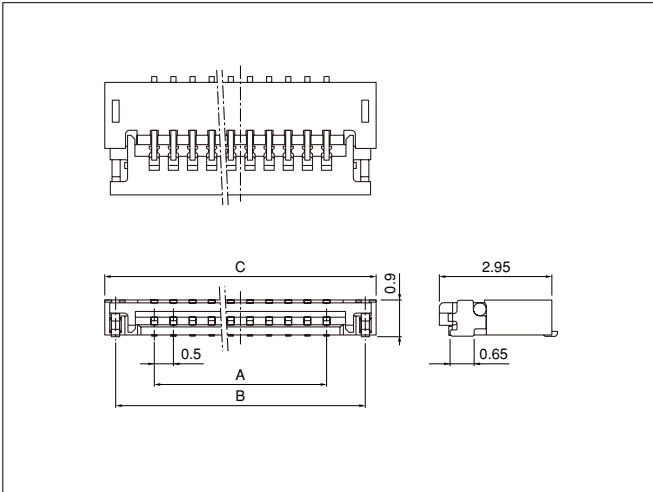
### PC board layout (viewed from component side) and Assembly layout



Note: 1. Tolerances are non-cumulative: ±0.03mm for all centers.  
2. The dimensions above should serve as a guideline. Contact JST for details.

# FHS CONNECTOR

## Connector



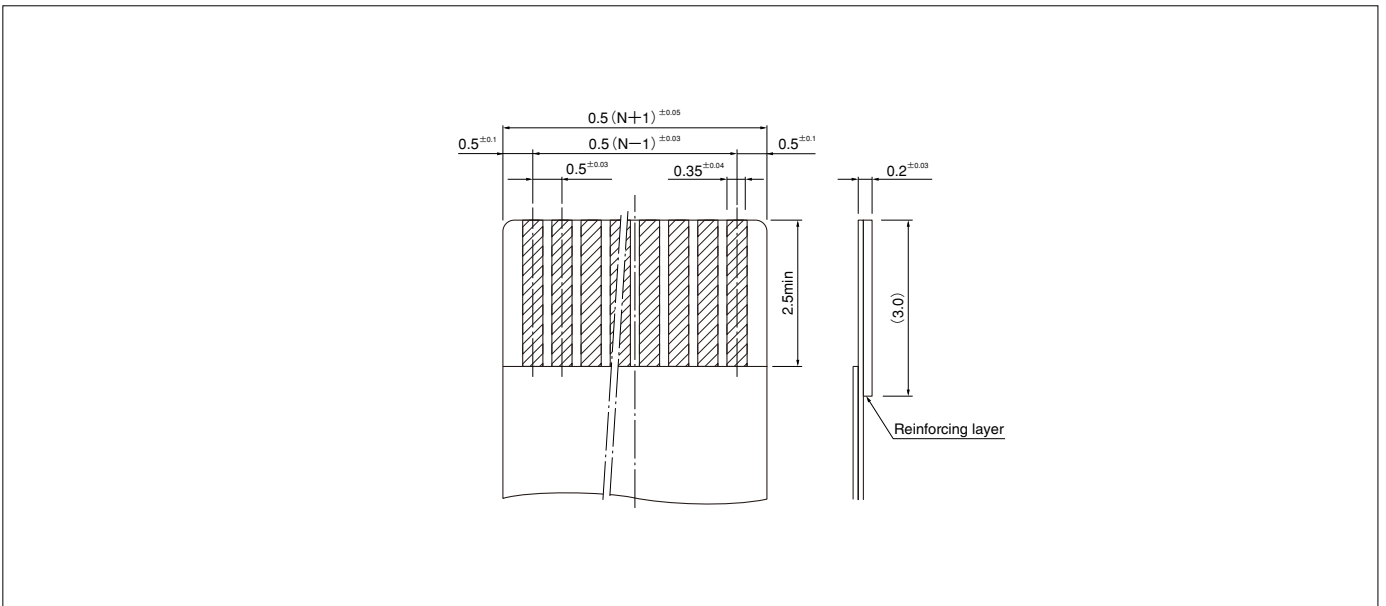
Circuits	Model No.	Dimensions (mm)			Q'ty / reel
		A	B	C	
3	<b>03FHS-RSM1-GAN-TB</b>	1.0	3.0	3.56	6,000
4	<b>04FHS-RSM1-GAN-TB</b>	1.5	3.5	4.06	6,000
6	<b>06FHS-RSM1-GAN-TB</b>	2.5	4.5	5.06	6,000
8	<b>08FHS-RSM1-GAN-TB</b>	3.5	5.5	6.06	6,000
9	<b>09FHS-RSM1-GAN-TB</b>	4.0	6.0	6.56	6,000

### Material and Finish

Contact: Copper alloy, nickel-undercoated, gold-plated (nickel-stripe)  
Housing: LCP, UL94V-0  
Solder tab: Brass, copper-undercoated, tin-plated (reflow treatment)  
Cover: PPS, UL94V-0

**RoHS compliance** This product displays (LF)(SN) on a label.  
Note: This products listed above are supplied on embossed-tape.

## Lead section dimensions of FPC



Note: N --- Number of circuits