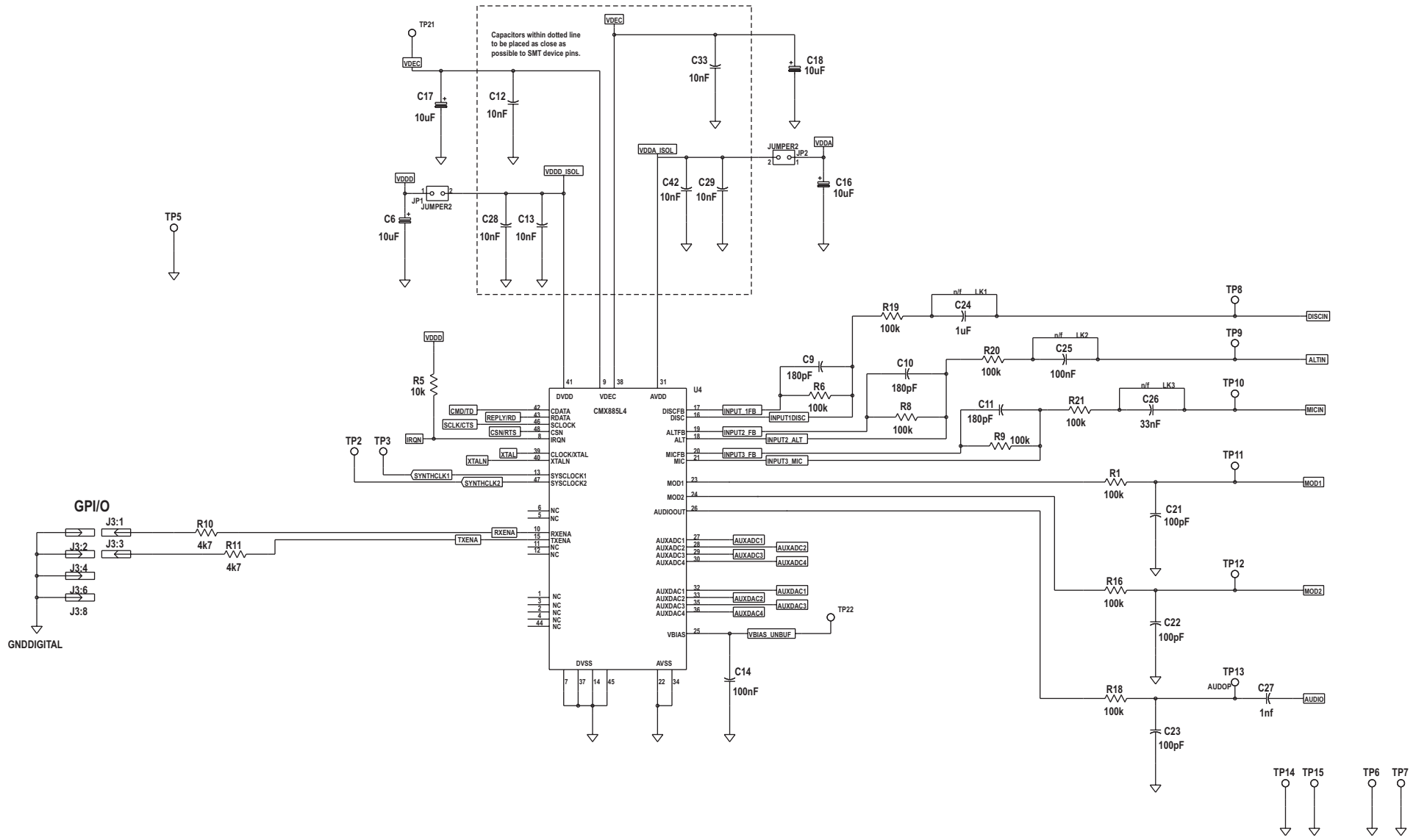




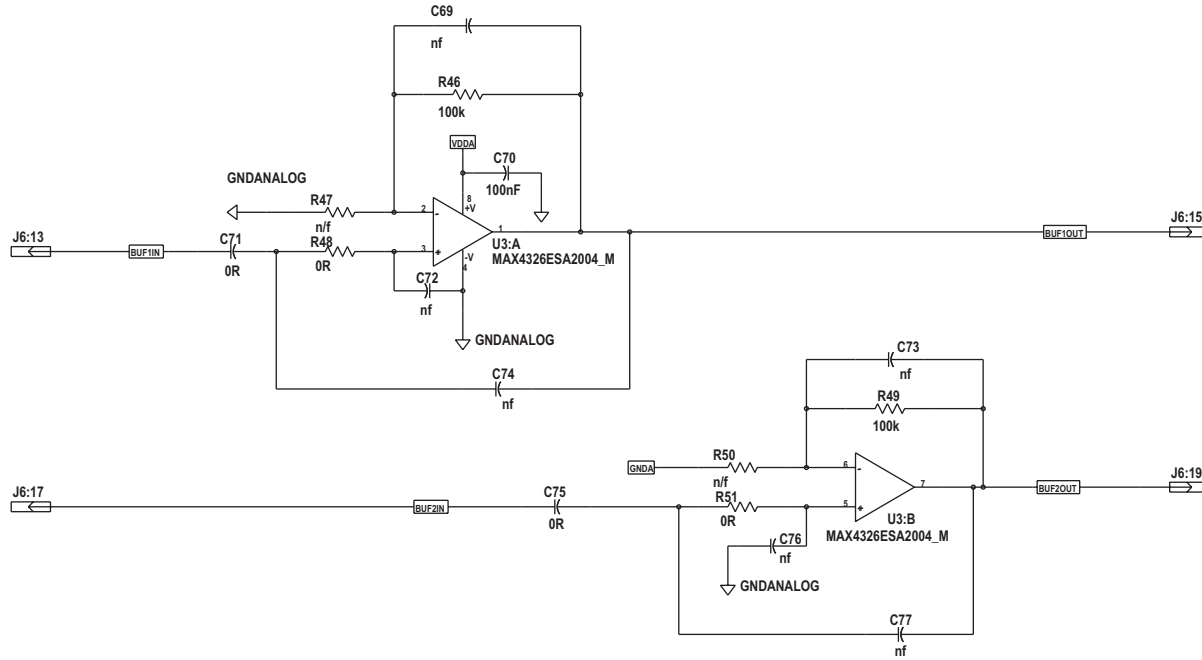
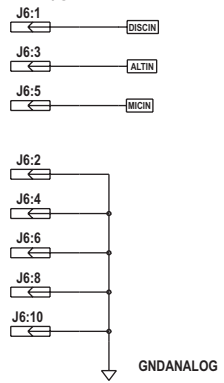
CML Microcircuits

COMMUNICATION SEMICONDUCTORS

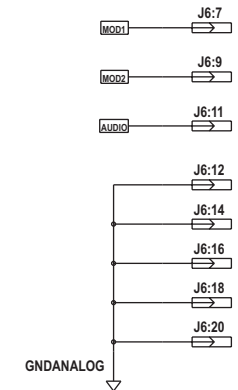
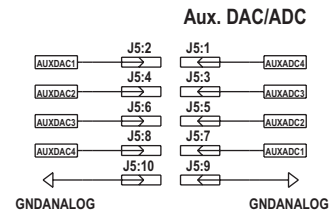
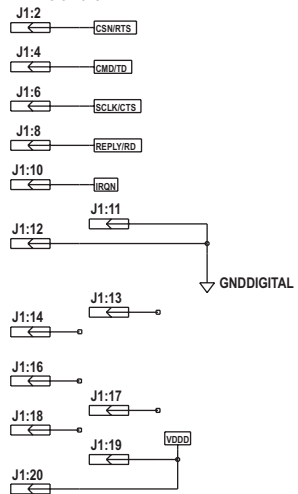
**High Resolution
Circuit Diagrams
for
EV8850**

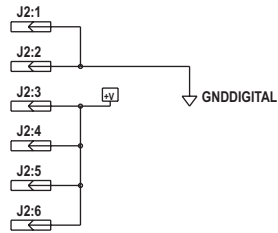
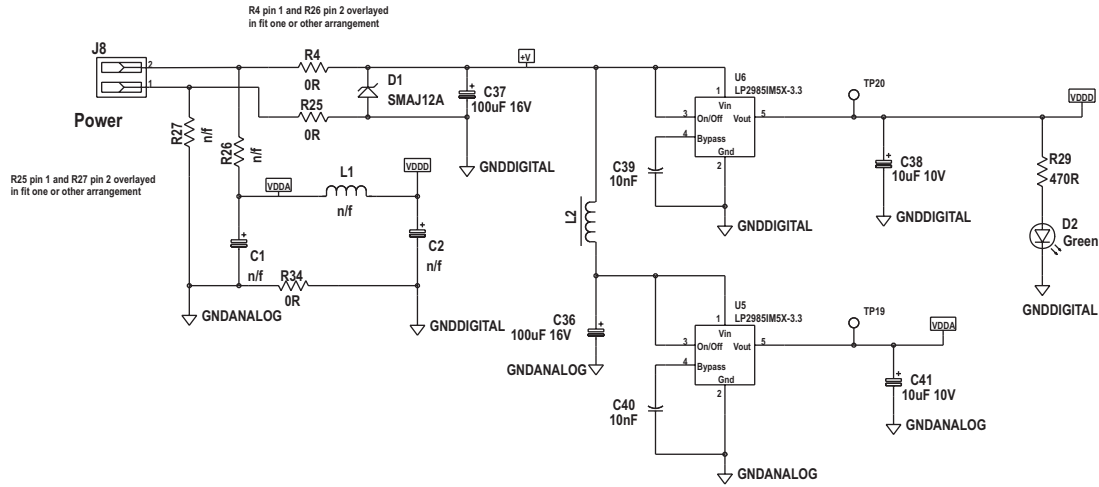


Analogue I/O



C-Bus Control





Daisy Chain +5volts from PE002

Device clocking options

