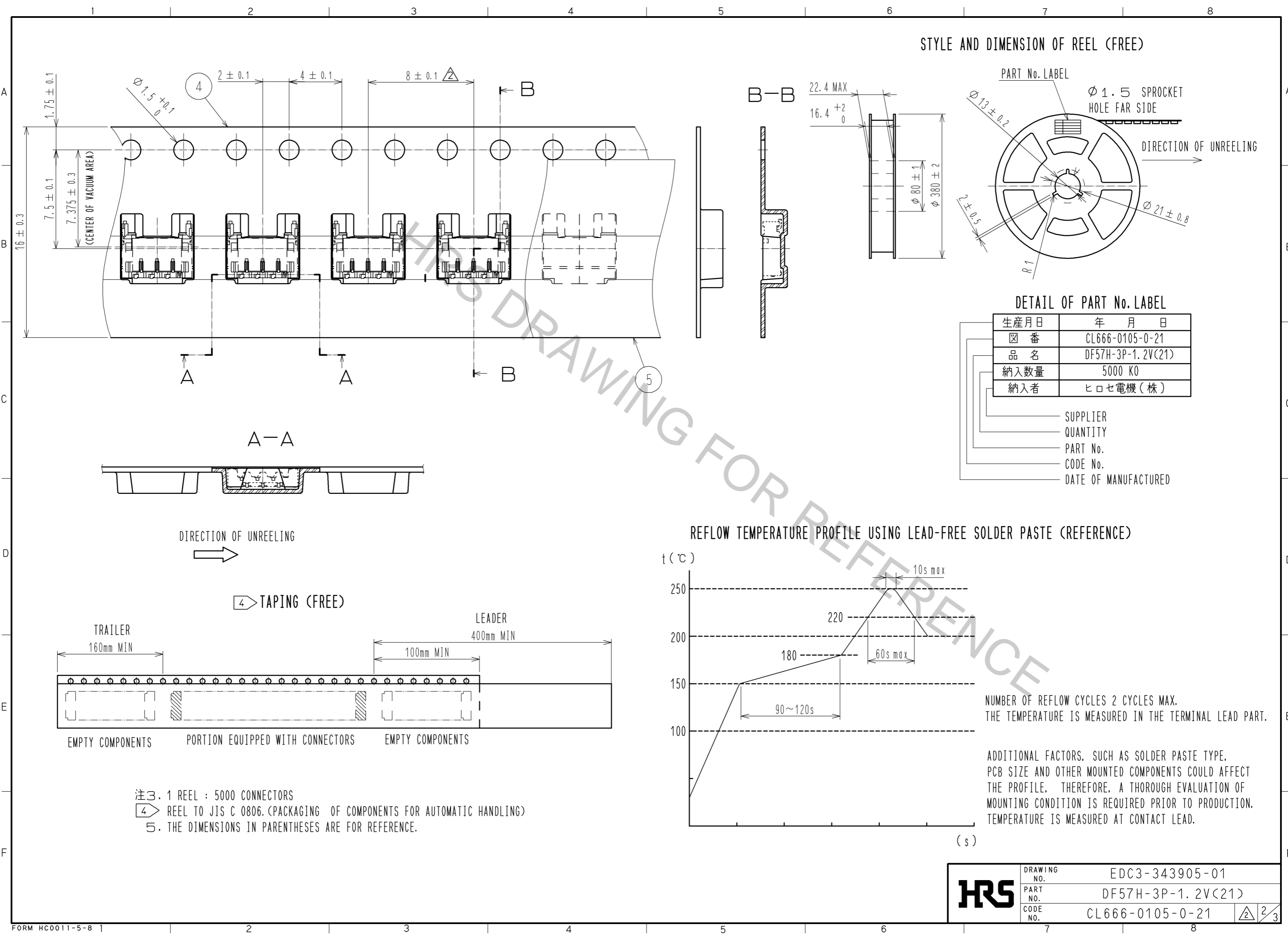


Apr.1.2017 Copyright 2017 HIROSE ELECTRIC CO., LTD. All Rights Reserved.

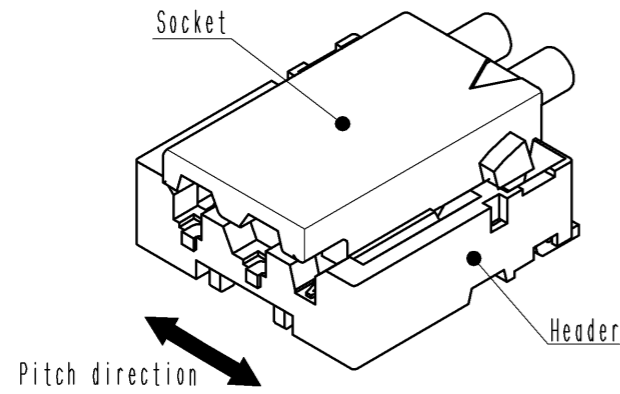


HRS	DRAWING NO.	EDC3-343905-01
	PART NO.	DF57H-3P-1.2V(21)
	CODE NO.	CL666-0105-0-21
		\triangle 2/3

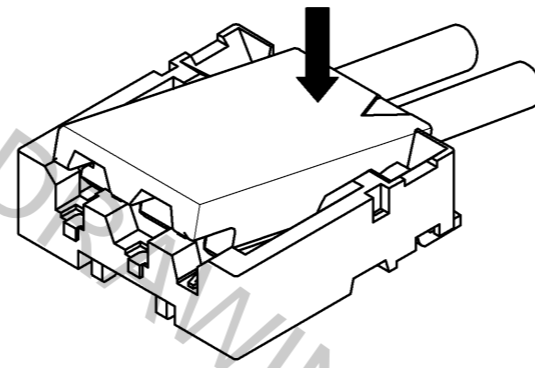
DF57 Series Mating / Unmating Operation Instruction (For DF57 series)

Mating

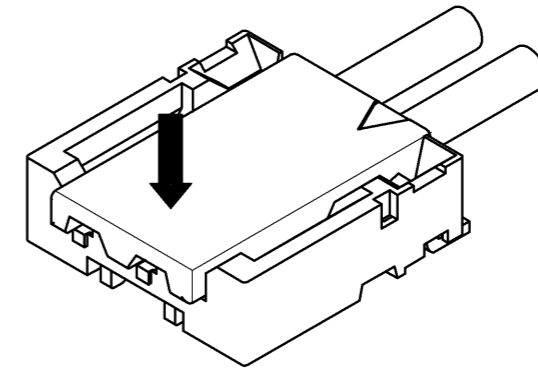
① By positioning the convexity of the socket sides to the header concavity, align the centers of the socket and the header in pitch direction.



② Slightly press the socket down at cable side to tilted angle.

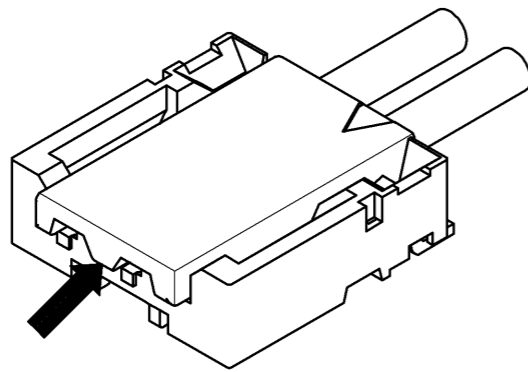


③ Press down at the lever side with stabilizing the cable side to insert. Mating completes.

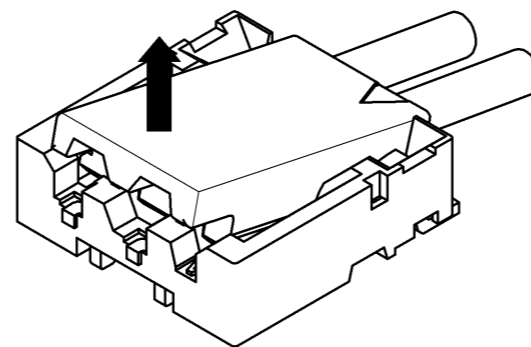


Unmating

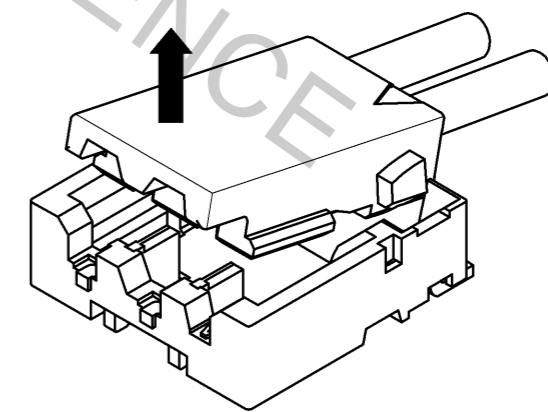
① Hook the lever with finger nail.



② Lift up to the upper direction and friction lock is released.



③ Lift up to the upper direction and positive lock is released. Removal completes.



HRS

DRAWING NO.	EDC3-343905-01
PART NO.	DF57H-3P-1.2V(21)
CODE NO.	CL666-0105-0-21

3/3