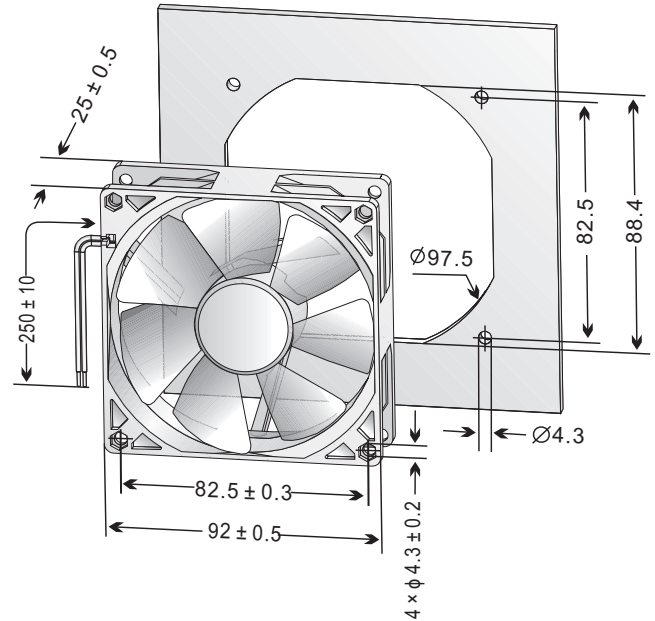


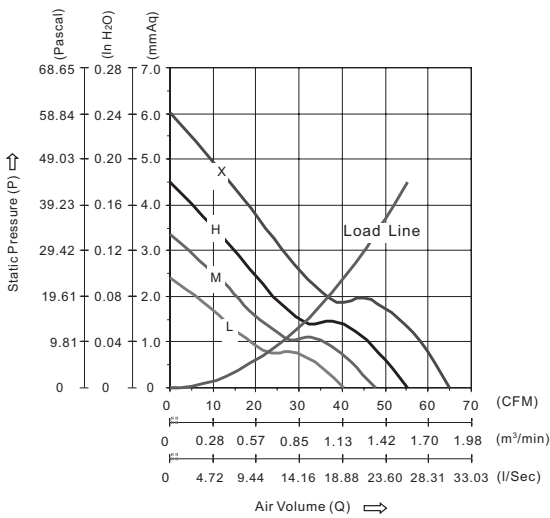
C-SERIES

92 x 92 x 25 mm

Frame: Thermoplastic PBT (GF 30%), UL94-V0
 Impeller: Thermoplastic PBT (GF 15%), UL94-V0
 Bearing System: Ball Bearing or Sleeve Bearing
 Lead Wire: UL 1007, AWG 24 / 250 mm, Red (+), Black (-)
 Protection: Locked rotor protected for minimum 72 hours



PQ GRAPH (AT RATED VOLTAGE)



AVAILABLE FUNCTIONS

1a. IR	1b. AS	1c. MS	2a. FG	2b. RD	2c. RDb	2d. LD	3. SG/PWM
	●		●	●	●		
4. OV	5a. TPWM	5b. RPWM	6. CL	7. CS	8a. VPWM	8b. IPWM	8c. PPWM

Part Number	Voltage (VDC)	Current (Amp.)	Power (Watts)	Speed (RPM)	Air Flow (Q)		Pressure (P)		Noise (dBA)	Unit Weight (g/CTN)
					(CFM)	(m³/min)	(mmAq)	(in H ₂ O)		
C9225X12BPLBx-7	12 (07-14)	0.370	4.44	3600	64.87	1.837	6.02	0.237	41.16	106.5 g (135 pcs)
* C9225H12BPLBx-7		0.223	2.67	3000	55.19	1.563	4.51	0.177	35.73	
C9225M12BPLBx-7		0.145	1.74	2600	47.69	1.350	3.36	0.132	31.99	
C9225L12BPLBx-7		0.100	1.20	2200	40.44	1.145	2.42	0.095	27.56	
C9225X24BPLBx-7	24 (15-27)	0.170	4.09	3600	64.87	1.837	6.02	0.237	41.16	106.5 g (135 pcs)
* C9225H24BPLBx-7		0.120	2.88	3000	55.19	1.563	4.51	0.177	35.73	
C9225M24BPLBx-7		0.075	1.81	2600	47.69	1.350	3.36	0.132	31.99	
C9225L24BPLBx-7		0.079	1.89	2200	40.44	1.145	2.42	0.095	27.56	

* small quantities available ex stock

- All MICRONEL fans listed here refer to double ball bearing types; Sleeve bearing types may consume about 10% more power for the same speed.
- Noise Measurements are taken with background noise of 16.8 dBA.
- Please see «Function Legend» for explanation of each function.
- Specifications are subject to change without notice.