



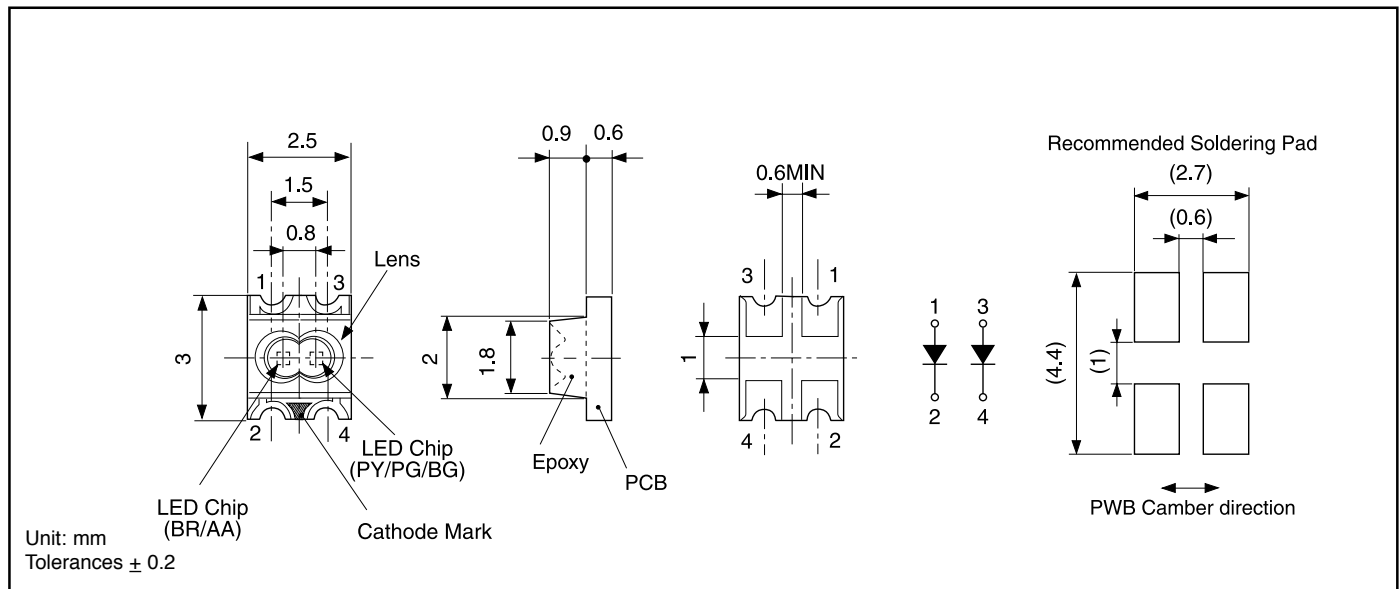
### Features

- Bicolor package with 3225 (1210) footprint
- Inner lens design provides focused light beam
- Excellent for indicator backlighting and light pipe applications

### Applications

- Mobile devices
- Computer / Telecommunications
- Industrial / Medical Instrumentation
- Audio visual equipment

### Outline Dimensions



### Electro-Optical Characteristics

(Ta=25°C)

Part No.	Material	Emitted Color	Lens Color	Luminous Intensity I <sub>v</sub>			Wavelength				Forward Voltage V <sub>F</sub>			Reverse Current I <sub>R</sub>		Viewing Angle (2 θ 1/2)
				MIN.	TYP.	I <sub>F</sub>	Peak λ <sub>p</sub> TYP.	Dominant λ <sub>d</sub> TYP.	Spectral Line Half Width Δλ TYP.	I <sub>F</sub>	TYP.	MAX.	I <sub>F</sub>	MAX.	V <sub>R</sub>	
BRPY1204W	GaAlAs	Red (BR)	Water Clear	6.0	33.6	20	660	647	30	20	1.7	2.0	20	100	4	100°
	GaP	Yellow-Green (PY)		6.0	24	20	570	572	30	20	2.1	2.5	20	100	4	80°
BRPG1204W	GaAlAs	Red (BR)		6.0	33.6	20	660	647	30	20	1.7	2.0	20	100	4	100°
	GaP	Green (PG)		3.0	12	20	560	567	30	20	2.1	2.5	20	100	4	80°
BRBG1204W	GaAlAs	Red (BR)		6.0	33.6	20	660	647	30	20	2.2	2.0	20	100	4	100°
	GaP	Pure Green (BG)		0.9	4.8	20	555	558	30	20	2.1	2.5	20	100	4	80°
AAPY1204W	GaAsP	Orange (AA)		5.0	9	20	605	606	30	20	2.2	2.5	20	100	4	80°
	GaP	Yellow-Green (PY)		6.0	12	20	570	572	30	20	2.1	2.5	20	100	4	80°
Units				mcd	mA		nm		mA	V	mA	μA	V	Deg.		

