

Description

Miniaturised single pole thermal circuit breaker with push-to-reset tease-free, trip-free, snap action mechanism (R-type TO CBE to EN 60934). Available in versions for panel mounting, snap-in or threadneck, or as an integral type. For lower current ratings see types 104, 105, 106. Approved to CBE standard EN 60934 (IEC 60934).

Upon request, the 1140 in combination with the C14 appliance inlet is also available as completely assembled power entry module (optionally with or without line filter).

Typical applications

Motors, transformers, solenoids, hand-held machines and appliances.

Preferred types

Preferred types	Standard current ratings (A)															
	4	5	6	7	8	9	10	11	12	13	14	15	16			
1140-G111-P1M1-	x	x	x	x	x	x	x	x	x	x	x	x	x	x	x	x

Standard current ratings and typical internal resistance values

Current rating (A)	Internal resistance (Ω)	Current rating (A)	Internal resistance (Ω)
3.5	0.06	10	< 0.02
4	0.04	11	< 0.02
5	0.03	12	< 0.02
6	0.02	13	< 0.02
7	< 0.02	14	< 0.02
8	< 0.02	15	< 0.02
9	< 0.02	16	< 0.02



Compliances



Approvals

Authority	Standard	Rated voltage	Current ratings
VDE	IEC/EN 60934	AC 240 V DC 48 V	3.5 A...16 A 3.5 A...16 A
UL	UL 1077	AC 250 V DC 50 V	3.5 A...16 A 3.5 A...16 A
CSA	C22.2 No 235	AC 250 V DC 50 V	3.5 A...16 A 3.5 A...16 A

Ordering information

Type No.

1140 single pole thermal circuit breaker

Mounting

E2 integral mounting

F1 snap-in panel mounting

G0 threadneck mounting without nuts (combined with XR38 power entry module)

G1 threadneck panel mounting 3/8-27UNS with hex nut and knurled nut (hardware bulk shipped with 5 pcs plus)

Number of poles

1 1-pole protected

Actuator style

1 black push button

Terminal design

P1 blade terminals A6.3-0.8 (QC .250)

Characteristic curve

M1 medium delay

Current ratings

3.5...16 A

1140 - F1 1 1 - P1 M1 - 10 A = ordering example

Please be informed that we have minimum ordering quantities to be observed.

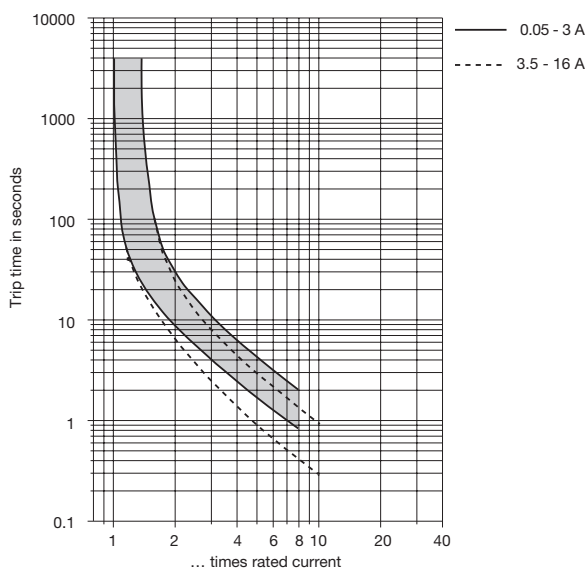
All dimensions without tolerances are for reference only. In the interest of improved design, performance and cost effectiveness the right to make changes in these specifications without notice is reserved. Product markings may not be exactly as the ordering codes. Errors and omissions excepted.

Technical data

For further details please see: http://www.e-t-a.de/ti_e

Voltage rating	AC 240 V; DC 48 V (UL: AC 250 V; DC 50 V)		
Current ratings	3.5...16 A		
Typical life	AC + DC 3.5...8 A 200 operations at 2 x I _N , inductive 9...16 A 100 operations at 2 x I _N , inductive		
Ambient temperature	-20...+60 °C (-4...+140 °F) T 60		
Insulation co-ordination (IEC 60664 and 60664 A)	rated impulse withstand voltage 2.5 kV reinforced insulation in operating area	pollution degree 2	
Dielectric strength (IEC 60664 and 60664A) operating area	test voltage AC 3,000 V		
Insulation resistance	> 100 MΩ (DC 500 V)		
Rupture capacity I _{cn}	3.5...8 A 9...16 A	8 x I _N 120 A	
Rupture capacity (UL 10777)	I _N 3.5...16 A U _N DC 50 V AC 250 V	2,000 A 2,000 A	
Degree of protection (IEC 60529/DIN 40 050)	operating area IP40 terminal area IP00		
Vibration	10 g (57-500 Hz) ± 0.76 mm (10-57 Hz), to IEC 60068-2-6, test Fc, 10 frequency cycles/axis		
Shock	25 g (11 ms) to IEC 60068-2-27, test Ea		
Corrosion	96 hours at 5 % salt mist, to IEC 60068-2-11, test Ka		
Humidity	240 hours at 95 % RH to IEC 60068-2-78, test Cab		
Mass	approx. 10 g		

Typical time/current characteristics at +23 °C/+73.4 °F

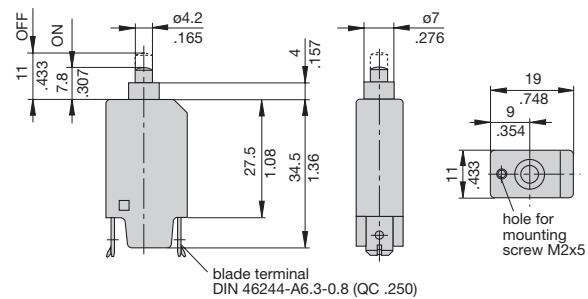


The time/current characteristic curve depends on the ambient temperature prevailing. In order to eliminate nuisance tripping, please multiply the circuit breaker current ratings by the derating factor shown below. See also section Technical information.

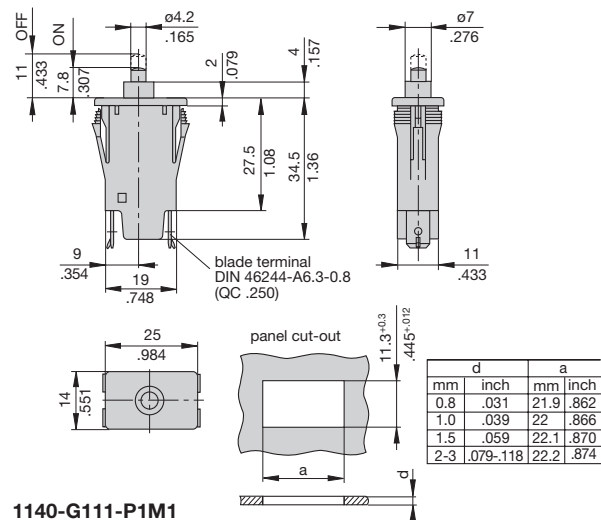
Ambient temperature °F	-4	+14	+32	+73.4	+104	+122	+140
°C	-20	-10	0	+23	+40	+50	+60
Derating factor	0.76	0.84	0.92	1	1.08	1.16	1.24

Dimensions

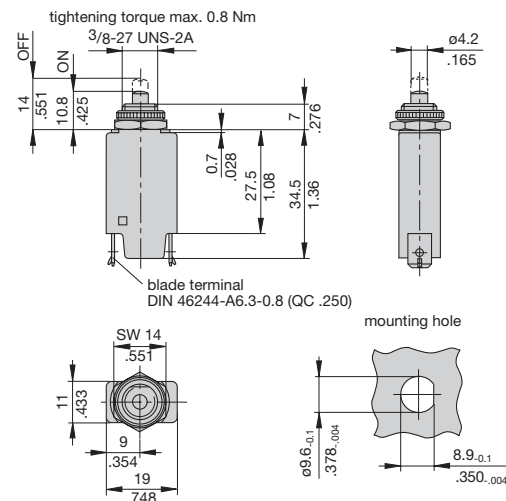
1140-E211-P1M1



1140-F111-P1M1



1140-G111-P1M1

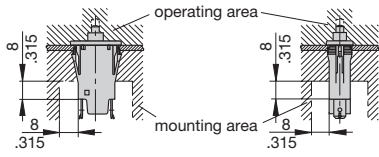


All dimensions without tolerances are for reference only. In the interest of improved design, performance and cost effectiveness the right to make changes in these specifications without notice is reserved. Product markings may not be exactly as the ordering codes. Errors and omissions excepted.

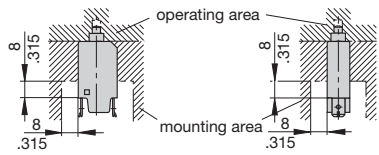
This is a metric design and millimeter dimensions take precedence ($\frac{\text{mm}}{\text{inch}}$)

Installation drawings

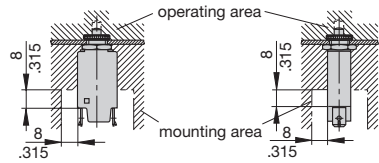
1140-F...



1140-E...

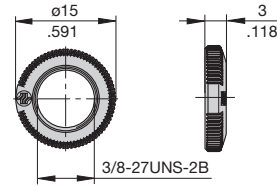


1140-G...

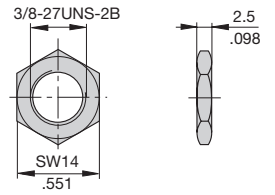


Accessory

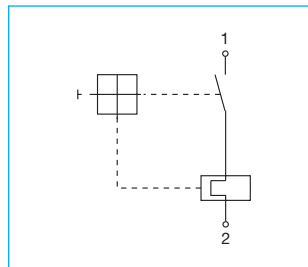
**Knurled nut 3/8" plastic (standard)
Y 307 117 02**



**Hex nut 3/8" nickel-plated brass
Y 300 192 01**

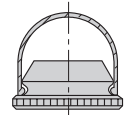


Internal connection diagram



Accessory

**Water splash cover/knurled nut assembly, transparent
X 201 285 01 (IP64)**



All dimensions without tolerances are for reference only. In the interest of improved design, performance and cost effectiveness the right to make changes in these specifications without notice is reserved. Product markings may not be exactly as the ordering codes. Errors and omissions excepted.

This is a metric design and millimeter dimensions take precedence ($\frac{\text{mm}}{\text{inch}}$)

Description

Miniaturised double pole thermal circuit breaker with push-to-reset tease-free, trip-free, snap action mechanism (R-type TO CBE to EN 60934). Threadneck panel mounting. Suitable for line and neutral switching - the thermal actuator operating on one pole simultaneously opens both poles under overload conditions. Approved to CBE standard EN 60934 (IEC 60934).

Upon request, the 1140 in combination with the C14 appliance inlet is also available as completely assembled power entry module (optionally with or without line filter).

Typical applications

Motors, transformers, solenoids, hand-held machines and appliances. Especially suited to AC duties where the correct orientation of line/neutral is not known/cannot be guaranteed.

Ordering information

Type No.	
1140	double pole threadneck panel mounting
Mounting	
G0	threadneck mounting without nuts (combined with XR38 power entry module)
G1	threadneck panel mounting 3/8-27UNS, with hex nut and knurled nut (hardware bulk shipped with 5 pcs plus)
Number of poles	
5	double pole, 1-pole protected
Actuator style	
1	black push button
Terminal design	
P7	blade terminals DIN 46244-C (QC 2x.110)
Characteristic curve	
M1	medium delay
Current ratings	
0,05...16 A	
1140 - G1 5 1 - P7 M1 - 16 A ordering example	

Preferred types

Preferred types	Standard current ratings (A)												
	0.5	1	1.5	2	3	4	5	6	8	10	12	15	
1140-G151-P7M1	x	x	x	x	x	x	x	x	x	x	x	x	x



Compliances



Approvals

Authority	Standard	Voltage ratings	Current ratings
VDE	IEC/EN 60934	AC 240 V DC 48 V	0.05 A...16 A 0.05 A...16 A
UL	UL 1077	AC 250 V DC 50 V	0.05 A...16 A 0.05 A...16 A
CSA	C22.2 No 235	AC 250 V DC 50 V	0.05 A...16 A 0.05 A...16 A

All dimensions without tolerances are for reference only. In the interest of improved design, performance and cost effectiveness the right to make changes in these specifications without notice is reserved. Product markings may not be exactly as the ordering codes. Errors and omissions excepted.

Technical data

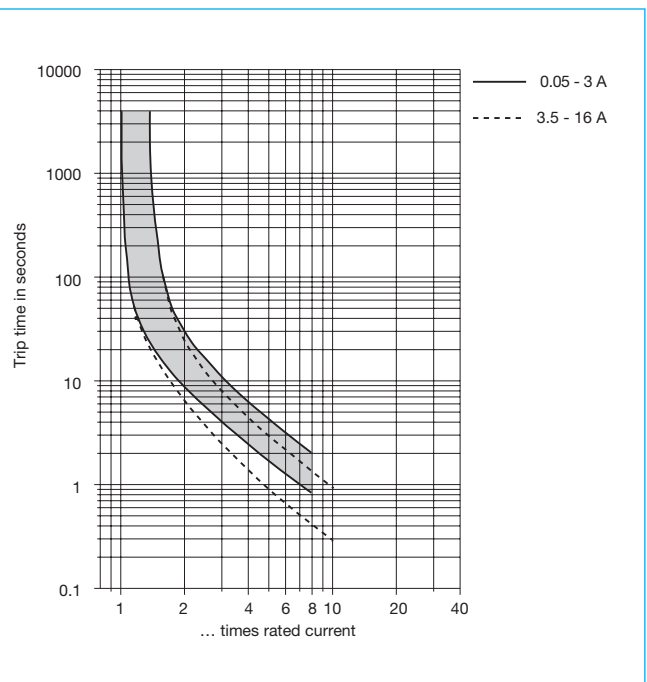
For further details please see chapter: Technical Information

Voltage rating	AC 240 V; DC 48 V (UL: AC 250 V; DC 50 V)		
Current ratings	0.05...16 A		
Typical life	AC + DC		
	0.05...3 A	300 operations at $2 \times I_N$, inductive	
	3.5...8 A	200 operations at $2 \times I_N$, inductive	
	9...16 A	100 operations at $2 \times I_N$, inductive	
Ambient temperature	-20...+60 °C (-4...+140 °F) T 60		
Insulation co-ordination (IEC 60664 and 60664 A)	rated impulse withstand voltage 2.5 kV	pollution degree 2	reinforced insulation in operating area
Dielectric strength (IEC 60664 and 60664A) operating area pole/pole	test voltage AC 3,000 V AC 1,500 V		
Insulation resistance	> 100 MΩ (DC 500 V)		
Rupture capacity I_{cn}	0.05...3 A 3.5...8 A 9...16 A	$6 \times I_N$ $8 \times I_N$ 120 A	
Rupture capacity (UL 1077)	I_N 0.05...16 A 0.05...16 A	U_N DC 50 V AC 250 V	2,000 A 2,000 A
Degree of protection (IEC 60529/DIN 40 050)	operating area IP40 terminal area IP00		
Vibration	10 g (57-500 Hz) \pm 0.76 mm (10-57 Hz), to IEC 60068-2-6, test Fc, 10 frequency cycles/axis		
Shock	25 g (11 ms) to IEC 60068-2-27, test Ea		
Corrosion	96 hours at 5 % salt mist, to IEC 60068-2-11, test Ka		
Humidity	240 hours at 95 % RH to IEC 60068-2-78, test Cab		
Mass	approx. 13 g		

Standard current ratings and typical internal resistance values

Current rating (A)	Internal resistance (Ω)	Current rating (A)	Internal resistance (Ω)
0.05	345	1.8	0.3
0.06	240	2	0.3
0.08	142	2.5	0.2
0.1	88	3	0.1
0.2	24	3.5	0.08
0.3	9.9	4	0.07
0.4	5.9	5	0.05
0.5	3.7	6	0.04
0.6	2.2	7	< 0.02
0.7	1.9	8	< 0.02
0.8	1.4	10	< 0.02
1	0.9	12	< 0.02
1.2	0.6	15	< 0.02
1.5	0.5	16	< 0.02

Typical time/current characteristics at +23 °C/+73.4 °F



The time/current characteristic curve depends on the ambient temperature prevailing. In order to eliminate nuisance tripping, please multiply the circuit breaker current ratings by the derating factor shown below. See also section Technical information.

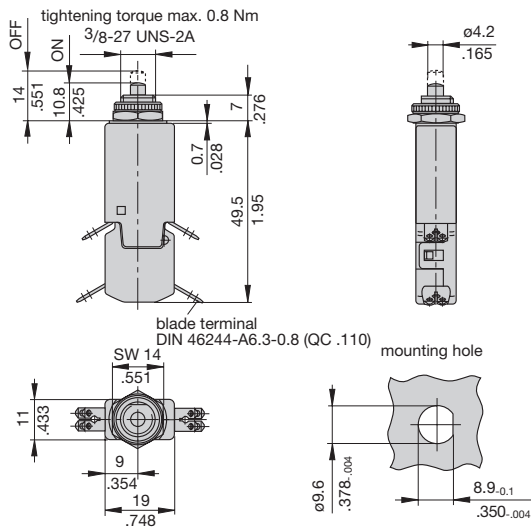
Ambient temperature °F	-4	+14	+32	+73.4	+104	+122	+140
°C	-20	-10	0	+23	+40	+50	+60
Derating factor	0.76	0.84	0.92	1	1.08	1.16	1.24

This is a metric design and millimeter dimensions take precedence ($\frac{\text{mm}}{\text{inch}}$)

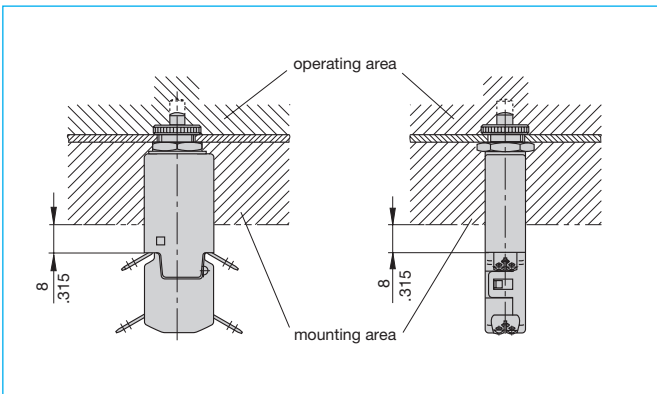
All dimensions without tolerances are for reference only. In the interest of improved design, performance and cost effectiveness the right to make changes in these specifications without notice is reserved. Product markings may not be exactly as the ordering codes. Errors and omissions excepted.

Dimensions

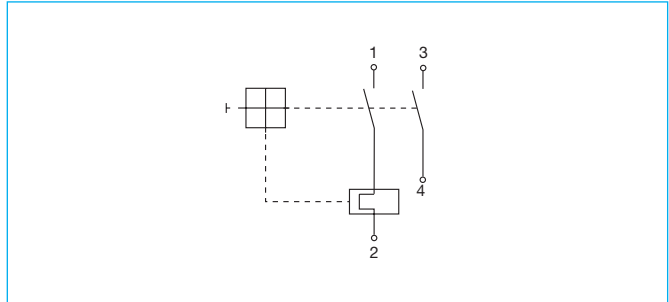
1140-G15...



Installation drawing

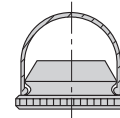


Internal connection diagram

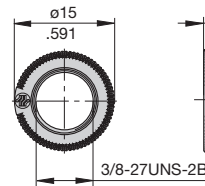


Accessories

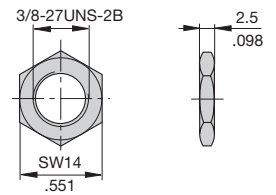
Water splash cover/knurled nut assembly, transparent X 201 285 01 (IP64)



Knurled nut 3/8" plastic (standard) Y 307 117 02



Hex nut 3/8" nickel-plated brass Y 300 192 01



This is a metric design and millimeter dimensions take precedence ($\frac{\text{mm}}{\text{inch}}$)

All dimensions without tolerances are for reference only. In the interest of improved design, performance and cost effectiveness the right to make changes in these specifications without notice is reserved. Product markings may not be exactly as the ordering codes. Errors and omissions excepted.