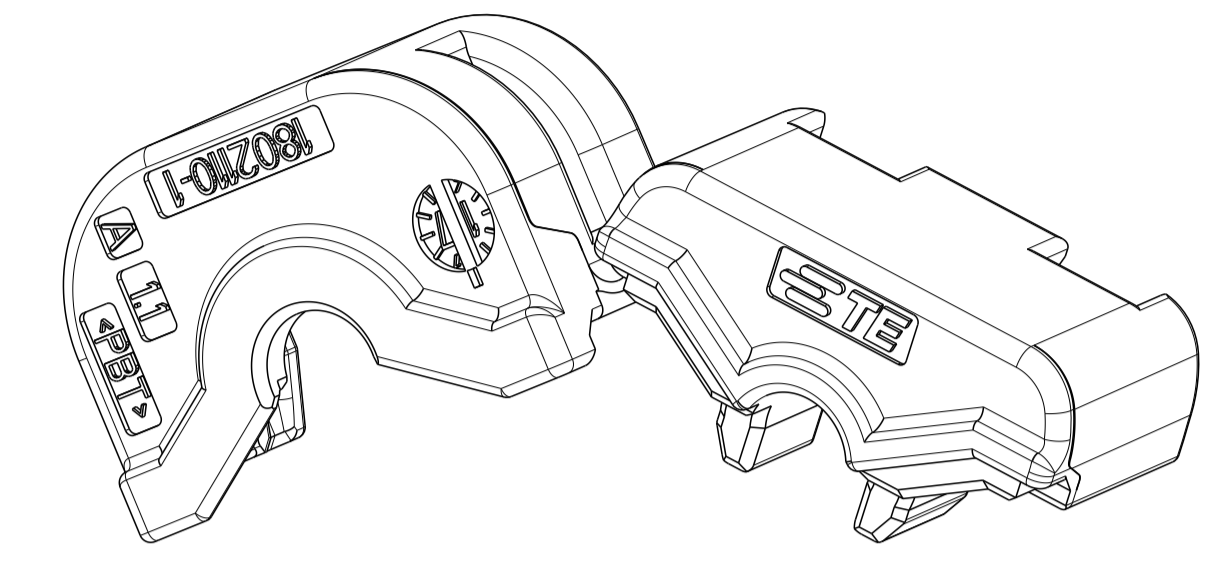
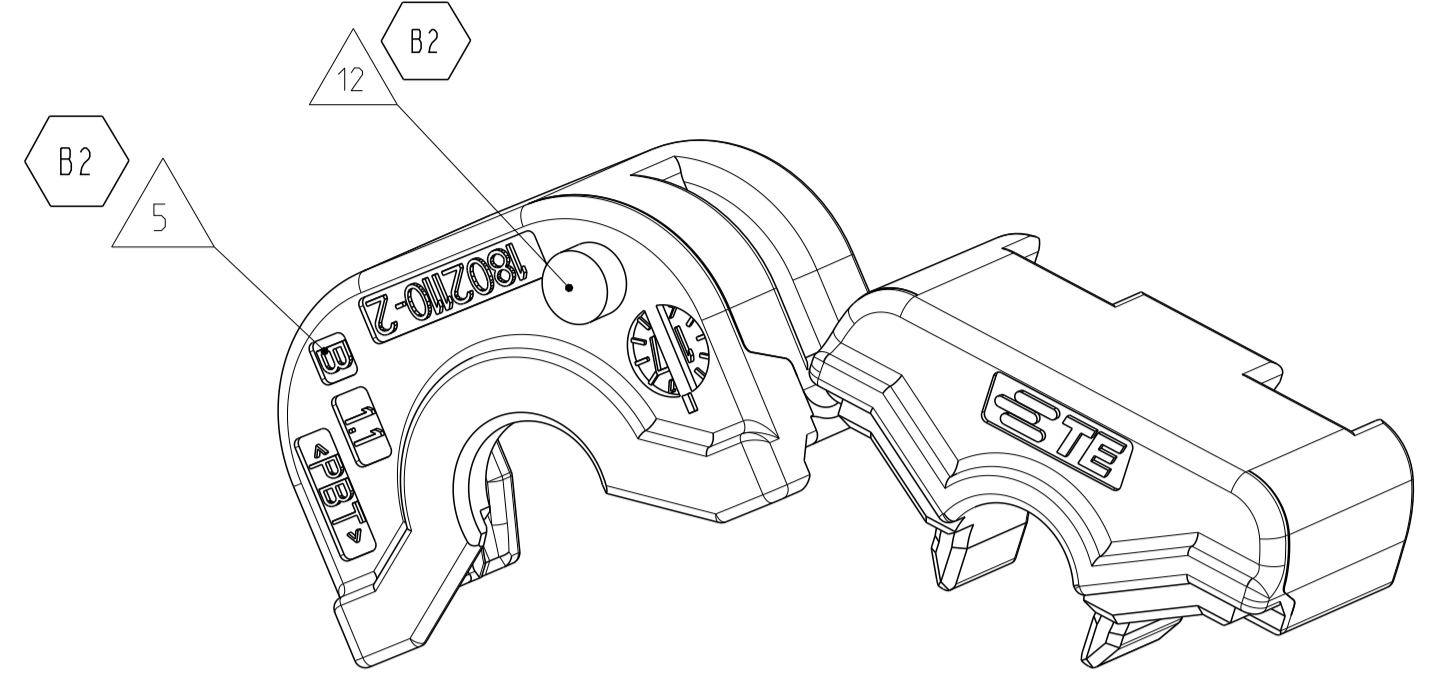
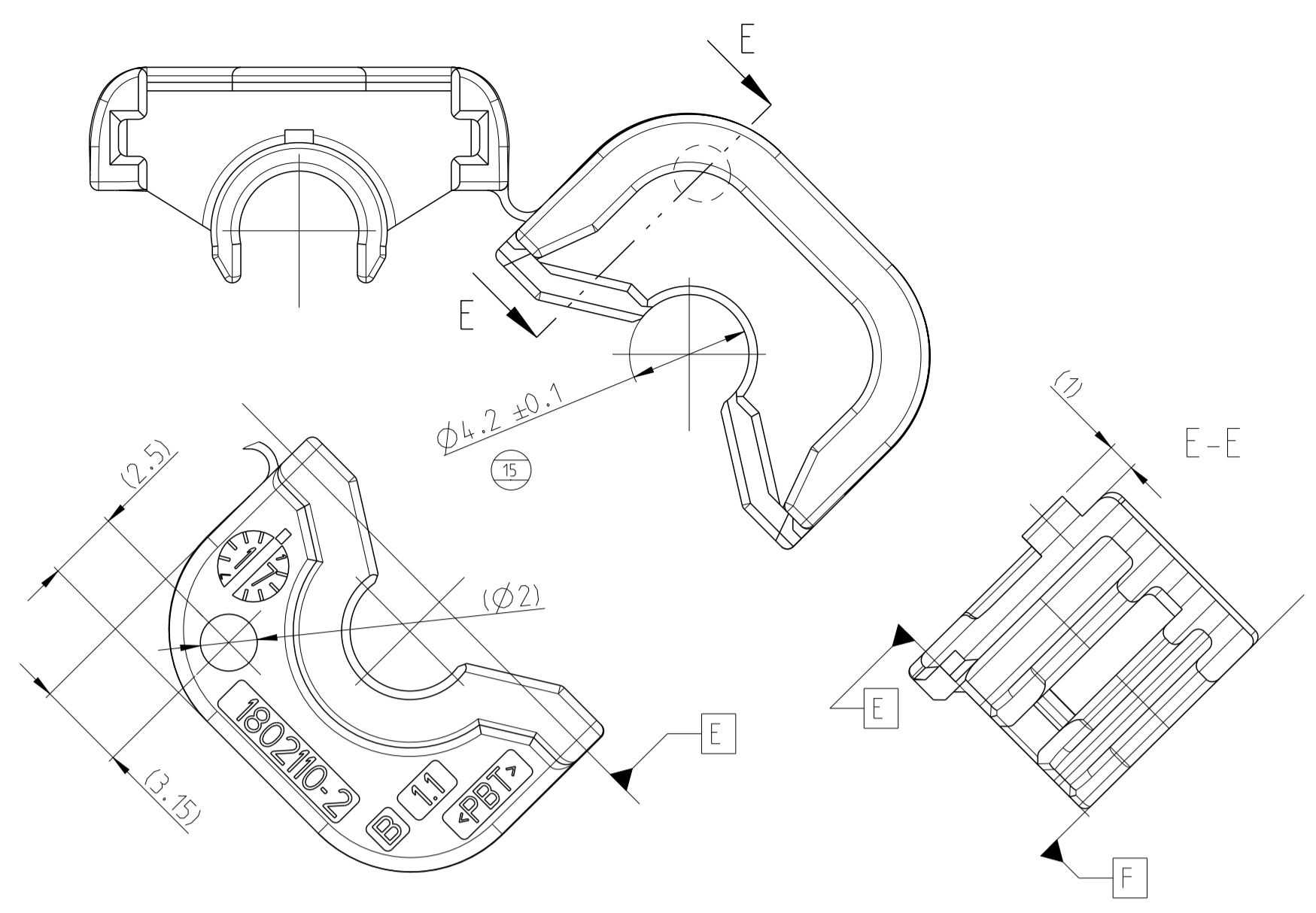


1802110-2 AS SHOWN

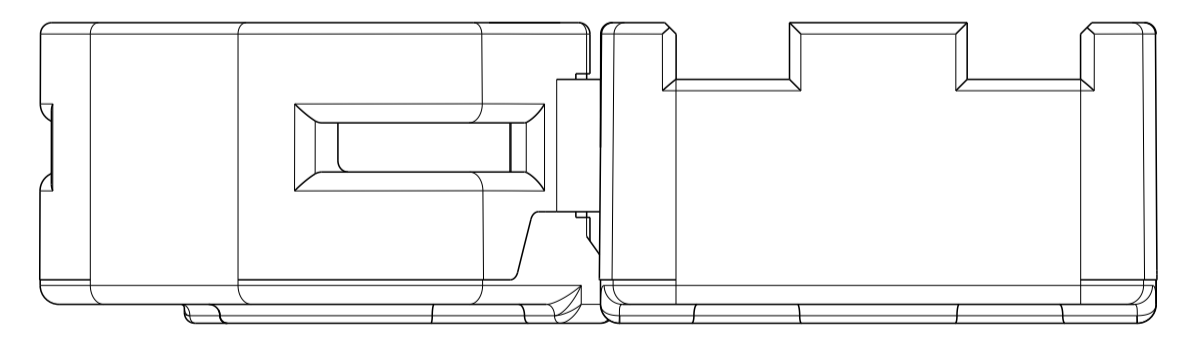
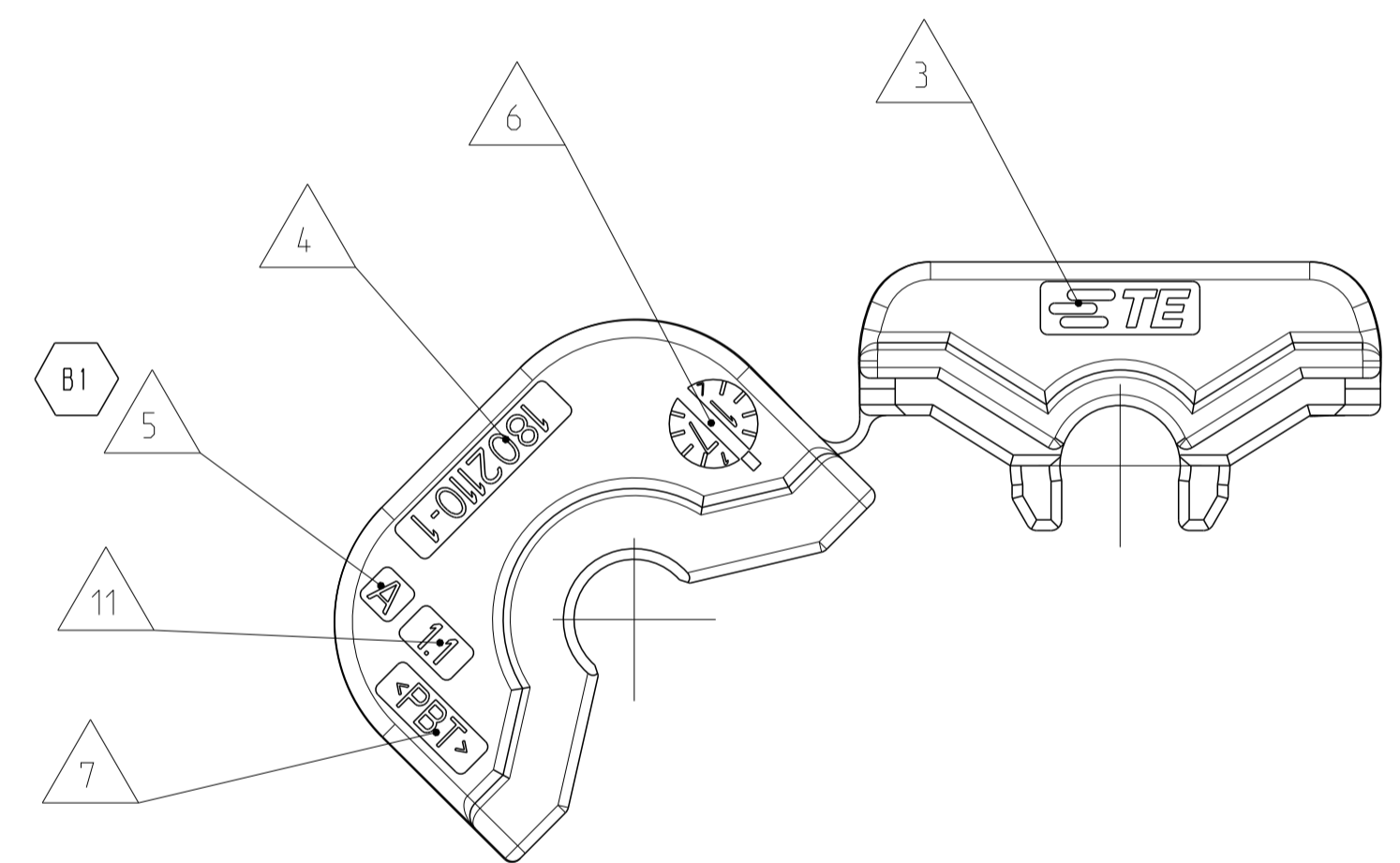
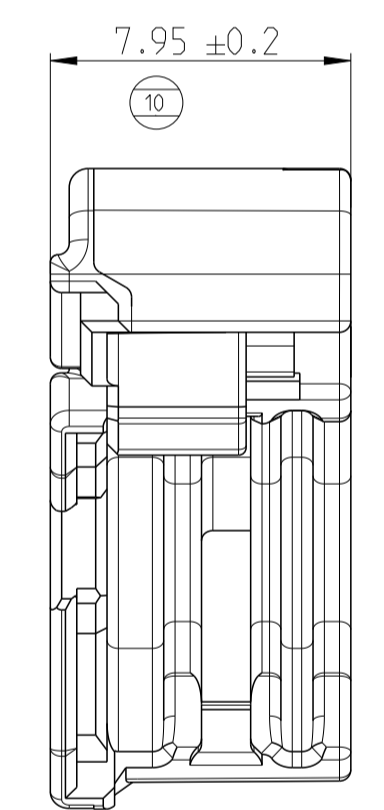
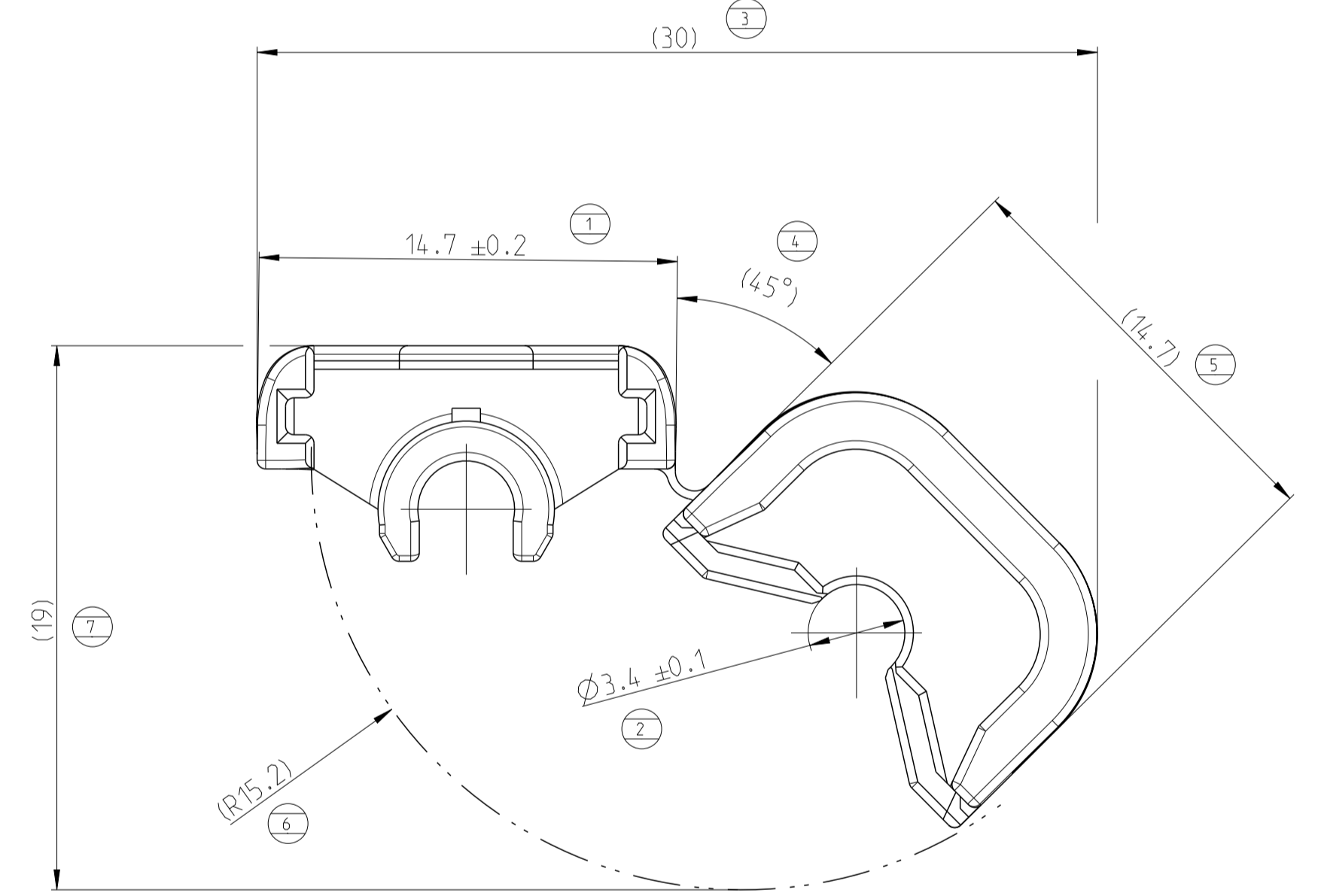
SHOWN IN UN-LOCKED POSITION
 Darstellung unverrastet



REVISIONS					
P.	LTN	DESCRIPTION	DATE	DWN	APVD
A3		SHAPE DETECTION CODING ADDED	18APR2019	NS	XR
B		SHAPE DETECTION CODING ADDED- PRC UPDAT	30JAN2020	NS	XR
B1		SHAPE DETECTION CODING DELETED-PRC UPDAT.	01APR2020	NS	XR
B2		DISTINCTIVE FEATURE FOR THE TEST ADAPTER	24SEP2020	NS	XR

1802110-1 AS SHOWN

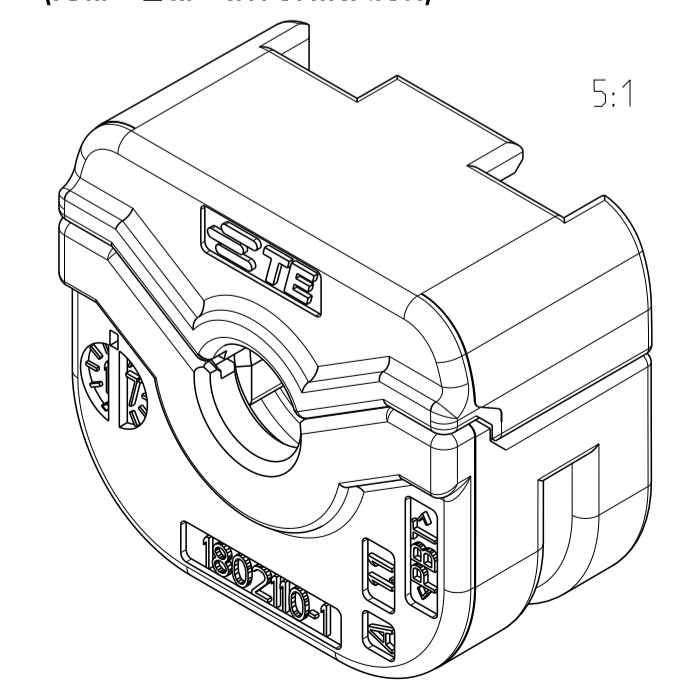
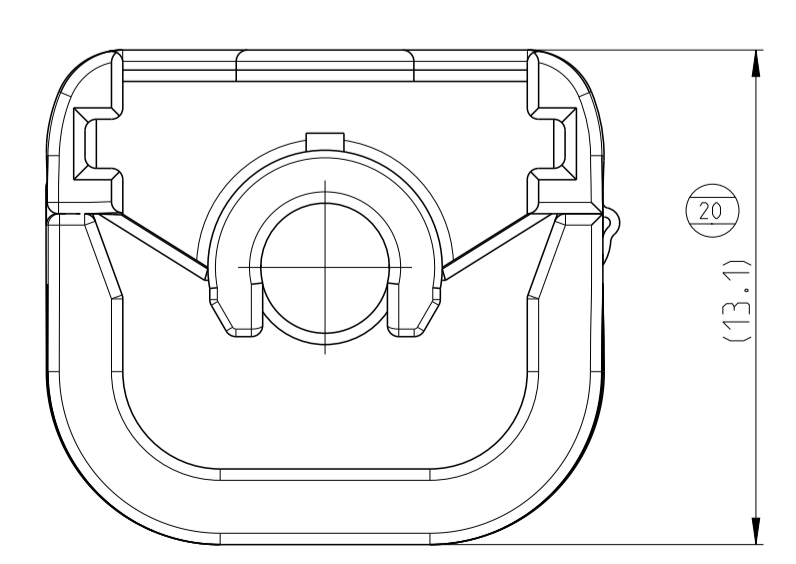
SHOWN IN UN-LOCKED POSITION
 Darstellung unverrastet



- Notizen / NOTES
- Maße in Klammern sind nur zur Information
 DIMENSIONS IN BRACKETS ARE FOR INFORMATION ONLY
 - Passend zu Steckverbinder 1802105/113
 MATING WITH CONNECTOR 1802105/113
 - TE-Logo
 TE-LOGO
 - TE Teil Number
 TE Part Number
 - Revisionsstand
 PART REVISION
 - Datumsurh
 PRODUCTION DATE
 - Material kennzeichnung
 MATERIAL IDENTIFICATION
 - Anlieferzustand: unverrastet
 DELIVERY CONDITION: IP PROTECTION COVER IN UN-LOCKED POSITION
 - Verpackung: Schuetftgut im Beutel im Karton
 DELIVERY: LOOSE PIECES IN BAG IN BOX
 - Allgemeintoleranzen nach DIN 16742-TG6
 GENERAL TOLERANCES ACC. DIN 16742-TG6
 - Werkzeug-Nest Nr.
 TOOL CAVITY NUMBER
 - B2 Unterscheidungsmerkmal für Testadapter
 DISTINCTIVE FEATURE FOR THE TEST ADAPTER

1802110-1 AS SHOWN

SHOWN IN END-LOCKED POSITION
 (ONLY FOR INFORMATION)
 Darstellung in Endraststellung
 (Nur zur Information)

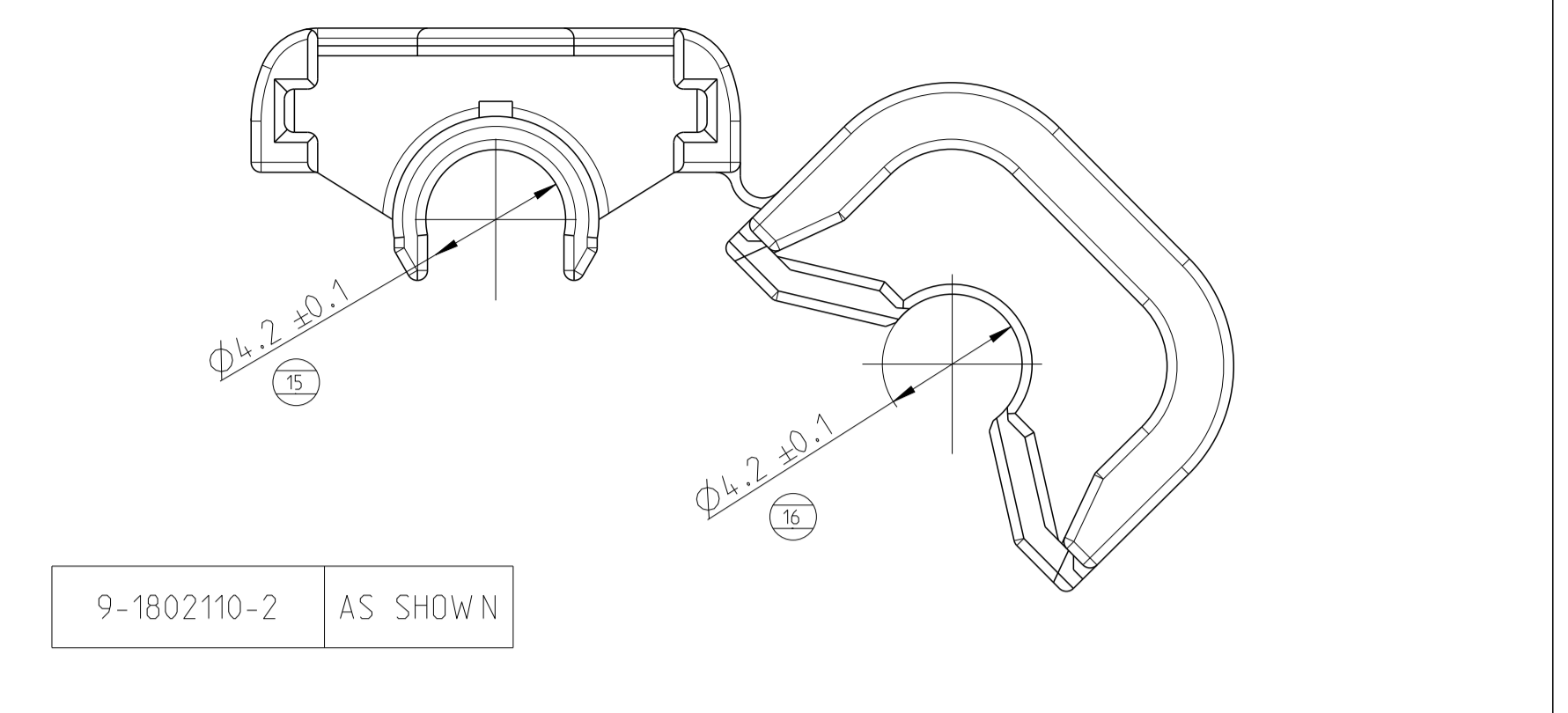


FOR SERIAL C-SAMPLE ONLY
 NUR FUER C-MUSTER

B2 (4.1)	1802110-2	IP PROTECTION COVER MATEnet Sealed 1-Port	PBT	0.75	black 9011
(3.2)	1802110-1	IP PROTECTION COVER MATEnet Sealed 1-Port	PBT	0.75	black 9011
CABLE JACKET DIAMETER	PART No.	DESCRIPTION	MATERIAL	WEIGHT [g]	COLOUR similar RAL

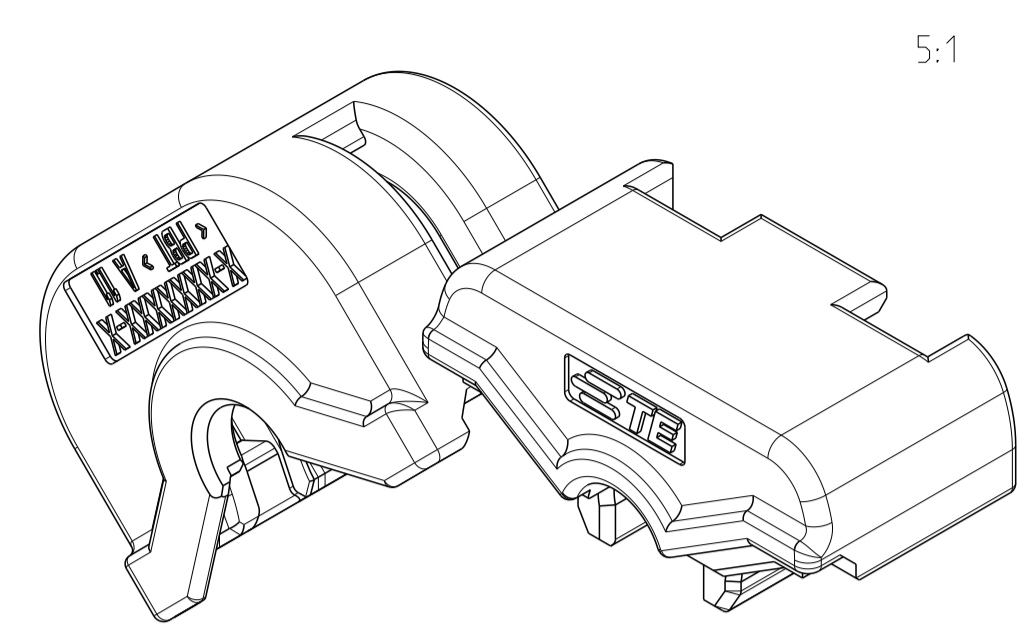
THIS DRAWING IS A CONTROLLED DOCUMENT.		OWN: N. SIMON 15SEP2016	TE Connectivity
DIMENSIONS: mm		CHK: X. ROUILLARD 15SEP2016	
TOLERANCES UNLESS OTHERWISE SPECIFIED:		APVD: C. SCHREITTLINGER 15SEP2016	NAME: SEAL HOLDER MATENET SEALED 1-PORT
0 PLC # # # # # 1 PLC # # # # # 2 PLC # # # # # 3 PLC # # # # # 4 PLC # # # # # ANGLES # # # # #		PRODUCT SPEC: - APPLICATION SPEC: - SIZE: 116-94431 WEIGHT: SEE TABLE CUSTOMER DRAWING: -	
MATERIAL: - FINISH: -		WEIGHT: - SCALE: 5:1 SHEET: 1 OF 2 REV: B2	RESTRICTED TO: - DRAWING NO: 1802110

REVISIONS				
P.	LTN	DESCRIPTION	DATE	APVD
-	-	SEE SHEET 1	-	-

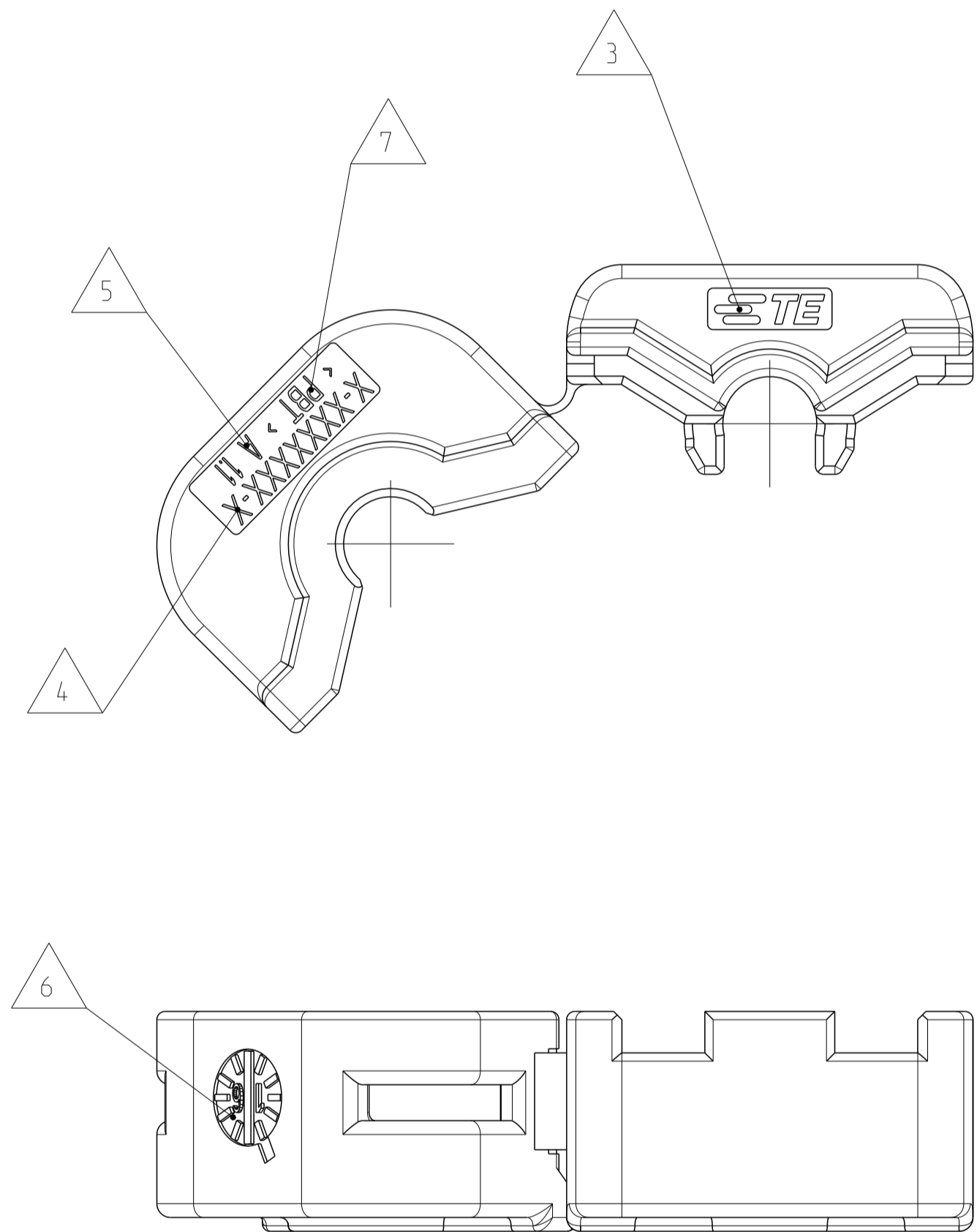
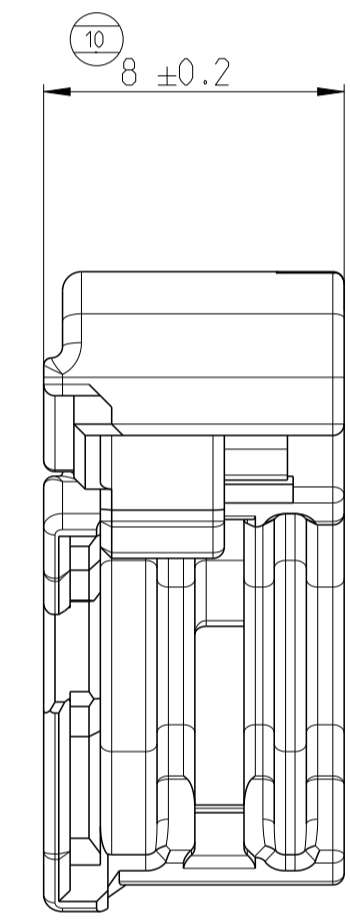
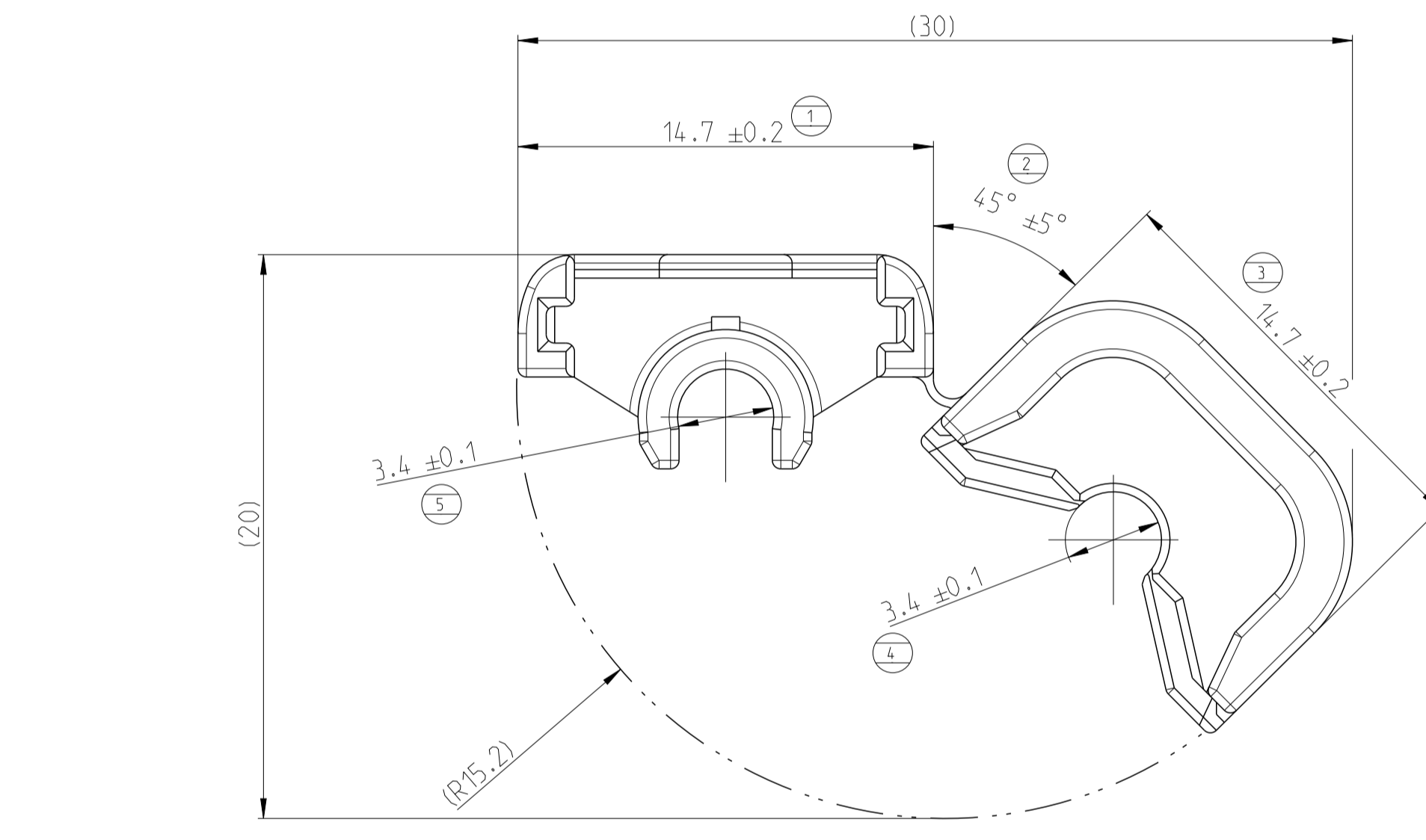


9-1802110-1 AS SHOWN

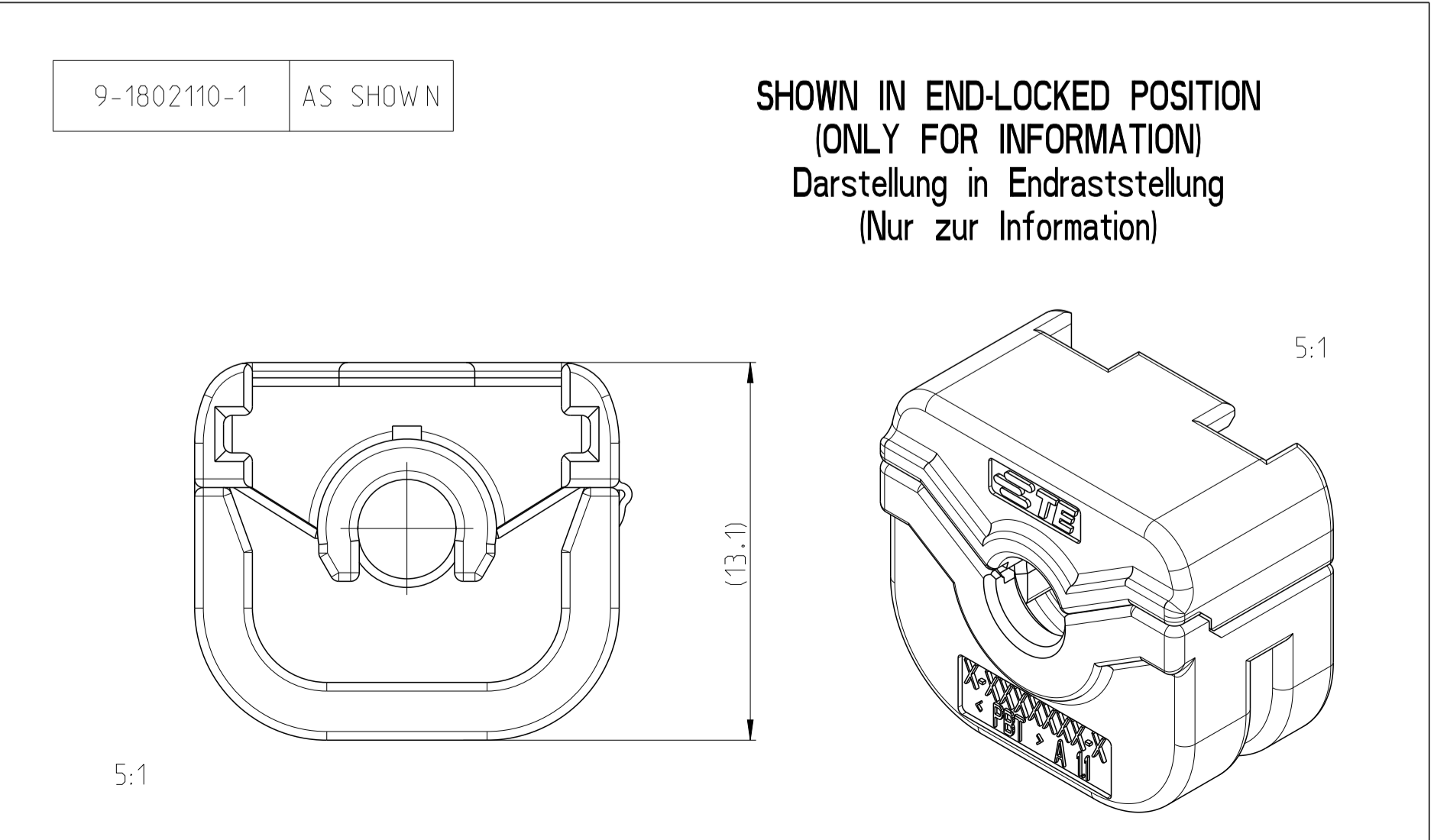
SHOWN IN UN-LOCKED POSITION
 Darstellung unverrastet



5:1



- Notizen / NOTES
- Maße in Klammern sind nur zur Information
 DIMENSIONS IN BRACKETS ARE FOR INFORMATION ONLY
 - Passend zu Steckverbinder 9-1802105/113
 MATING WITH CONNECTOR 9-1802105/113
 - TE-Logo
 TE-LOGO
 - TE Teil Number
 TE Part Number
 - Revisionsstand
 PART REVISION
 - Datum
 PRODUCTION DATE
 - Material kennzeichnung
 MATERIAL IDENTIFICATION
 - Anlieferzustand: unverrastet
 DELIVERY CONDITION: IP PROTECTION COVER IN UN-LOCKED POSITION
 - Verpackung: Schuetzfolie im Beutel im Karton
 DELIVERY: LOOSE PIECES IN BAG IN BOX
 - Allgemeintoleranzen nach DIN 16742-TG6
 GENERAL TOLERANCES ACC. DIN 16742-TG6



FOR PROTOTYPE B-SAMPLE ONLY
 NUR FUER B-MUSTER

CABLE JACKET DIAMETER	PART No.	DESCRIPTION	MATERIAL	WEIGHT (g)	COLOUR similar RAL
(4.0)	9-1802110-2	IP PROTECTION COVER MATENet Sealed 1-Port	PBT 1573049-2 0% REGRIND	0.718	black 9011
(3.2)	9-1802110-1	IP PROTECTION COVER MATENet Sealed 1-Port	PBT 1573049-2 0% REGRIND	0.718	black 9011

THIS DRAWING IS A CONTROLLED DOCUMENT.		OWN: N. SIMON 15SEP2016	TE Connectivity	
DIMENSIONS: mm		CHK: X. ROUILLARD 15SEP2016		
TOLERANCES UNLESS OTHERWISE SPECIFIED:		APVD: F. SCHRITTLINGER 15SEP2016	NAME: SEAL HOLDER MATENET SEALED 1-PORT	
0 PLC ±	10	PRODUCT SPEC	SIZE: CAGE CODE: DRAWING NO: RESTRICTED TO	
1 PLC ±	10	APPLICATION SPEC	SCALE: 4:1 SHEET 2 OF 2 REV: B2	
2 PLC ±	10	116-94431	CUSTOMER DRAWING	
3 PLC ±	10	WEIGHT: SEE TABLE	A1 00779 ©=1802110	
4 PLC ±	10	FINISH: -		
ANGLES ±	10			