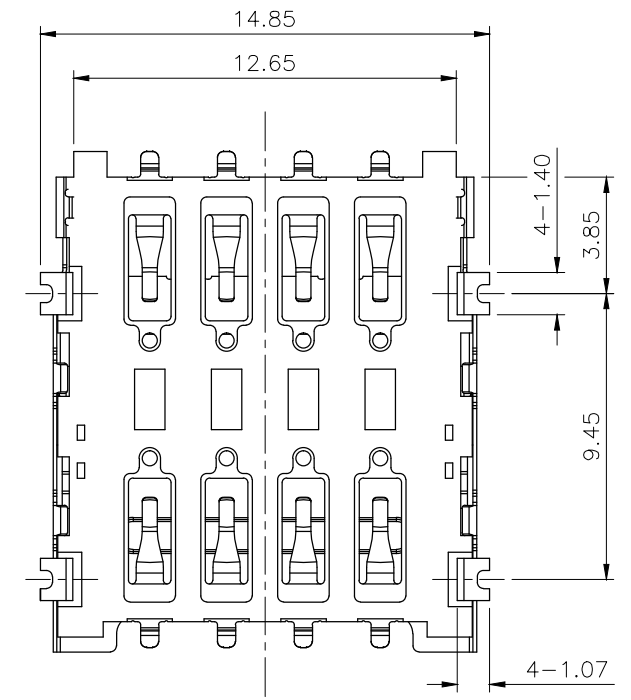
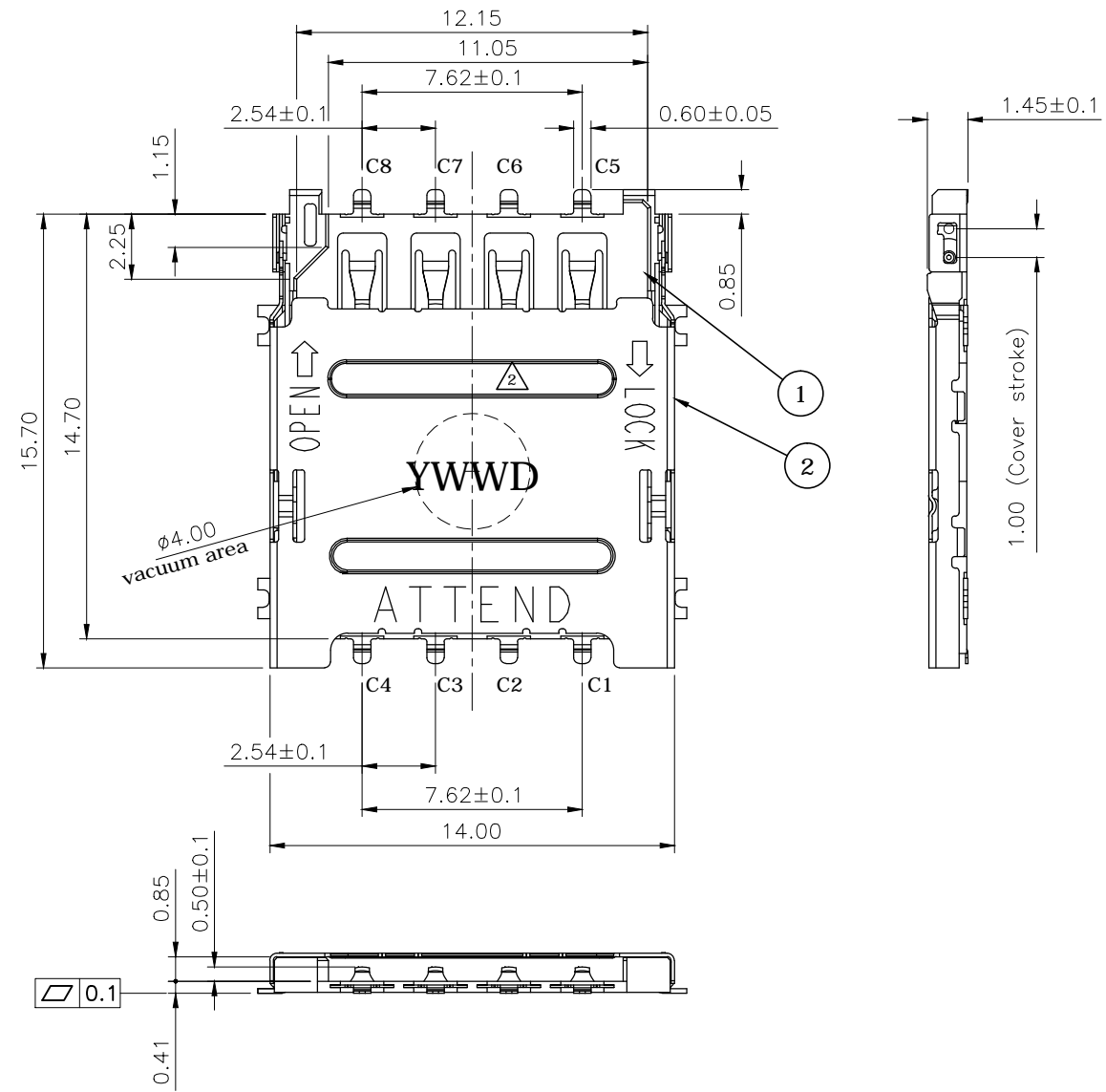


REV.	DESCRIPTION	DRAWN	DATE
1	INITIAL RELEASE	FROS	2015/02/09
2	Add date code	FROS	2016/08/09
3	ECR2300002	FROS	2023/01/10



2	SHELL	Stainless 0.12T, 50u" Nickel Plated	
1	MOLDING	Housing: LCP, Black	
		Ground: Stainless 0.15T, Gold Flash	
		Contact: Copper Alloy 0.08T, 5u" Gold Plated	
NO.	PART NAME	DESCRIPTION	
UNLESS OTHERWISE SPECIFIED TOLERANCE			
UNIT:	DECIMAL	LINEAR	ANGLES
	mm	X. ±0.50	±5°
		X.X ±0.25	±3°
		X.XX ±0.12	±1°
DRAWN	Fros	2014/12/27	DRAWN NAME: Micro SIM Card Socket, Hinge Type, 8 Pin, 5u" Gold Plating
CHECKED	Ron	2014/12/27	
APPROVED	Albert	2014/12/27	PRODUCT NO. 115R-BCA0
SCALE	SHEET	SIZE	FILE NAME
			4/1

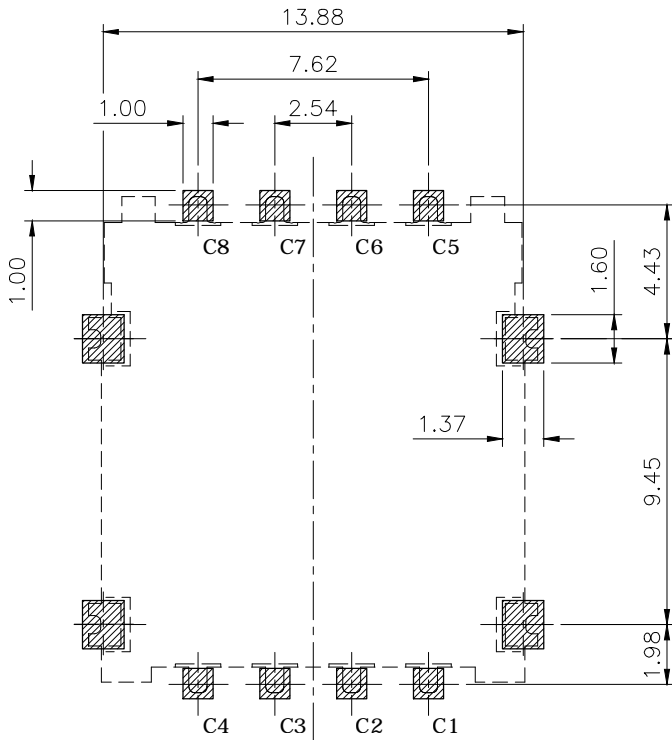


WWW.ATTEND.COM.TW

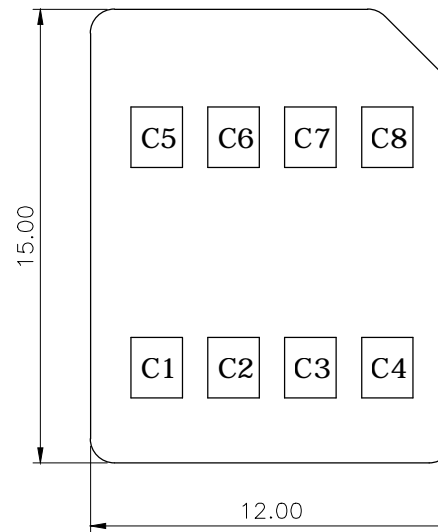
REV.	DESCRIPTION	DRAWN	DATE
	SEE SHEET 1		

SPECIFICATION:

1. ELECTRICAL
 - 1.1 Current Rating: 0.5A Max.
 - 1.2 Voltage Rating: 10V AC/DC
 - 1.3 Contact Resistance:
 - Initially 50mΩ Max.
 - Finally 100mΩ Max.
 - 1.4 Insulation Resistance: 1,000MΩ Min.
 - 1.5 Dielectric Withstanding Voltage: 500V AC
2. MECHANICAL
 - 2.1 Contact Normal Force: 0.3N Min./ Pin
 - 2.2 Durability: 50 Cycles
3. ENVIRONMENTAL
 - 3.1 Operating temperature range: -40°C~+85°C
 - 3.2 Storage temperature range: -40°C~+85°C
 - 3.3 Storage Humidity: +10%~+80% RH
4. SOLDER ABILITY
 - 4.1 Recommended IR Reflow (Wave Soldering)
 - Temperature: 260°C


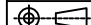


RECOMMEND LAYOUT (TOP VIEW)
GENERAL TOLERANCE $\pm 0.05\text{mm}$

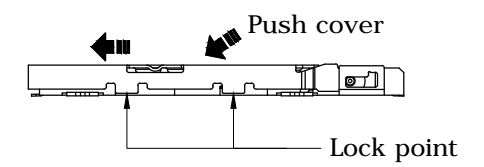
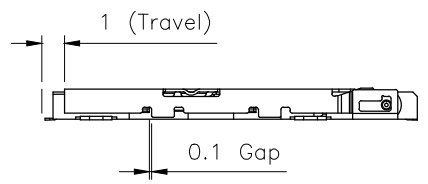
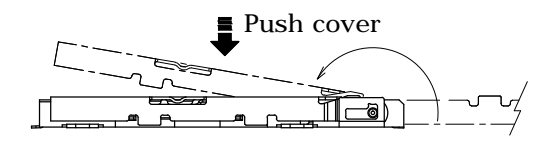
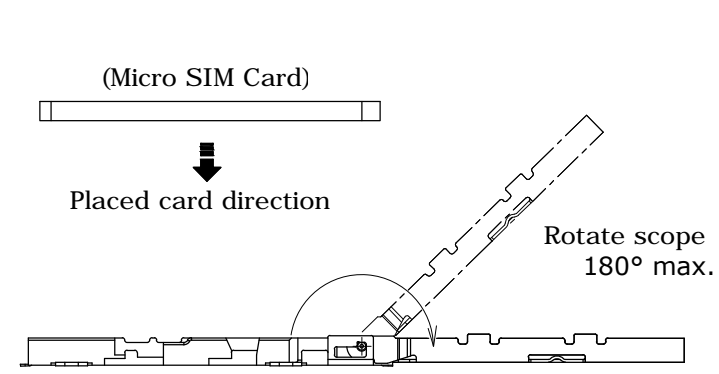
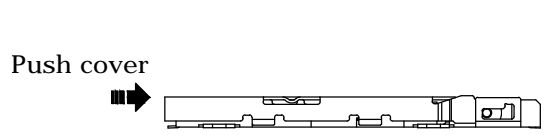
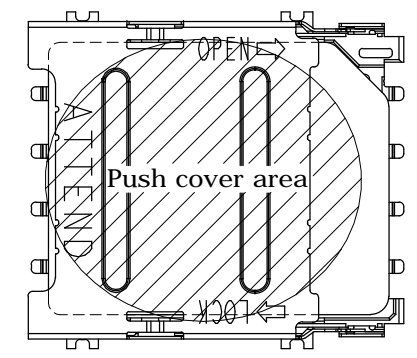
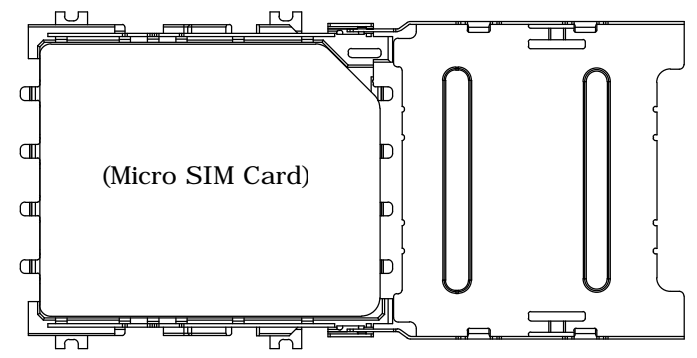
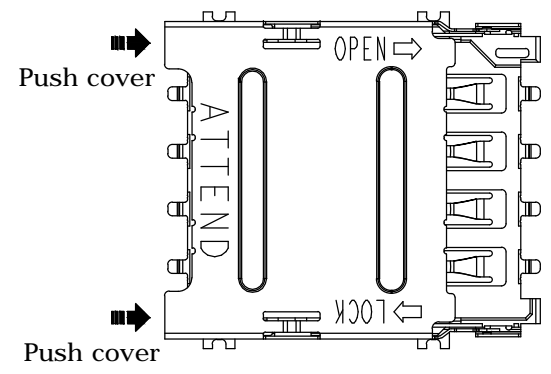


**MICRO SIM CARD
PAD LAYOUT**

PIN NO.	FUNCTION
C1	VCC
C2	RST
C3	CLK
C4	RFU
C5	GND
C6	VPP
C7	I/O
C8	RFU

UNLESS OTHERWISE SPECIFIED TOLERANCE				 WWW.ATTEND.COM.TW		
UNIT:	DECIMAL	LINEAR	ANGLES			
mm	X.	± 0.50	$\pm 5^\circ$			
	X.X	± 0.25	$\pm 3^\circ$			
	X.XX	± 0.12	$\pm 1^\circ$			
DRAWN	Fros	2014/12/27	DRAWN NAME:			
CHECKED	Ron	2014/12/27	Micro SIM Card Socket, Hinge Type, 8 Pin, 5u" Gold Plating			
APPROVED	Albert	2014/12/27	PRODUCT NO.	115R-BCA0		
	SCALE	SHEET	SIZE	FILE NAME		
	4/1	2/4	A4	115R-BCA0_B_3		


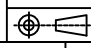
REV.	DESCRIPTION	DRAWN	DATE
	SEE SHEET 1		



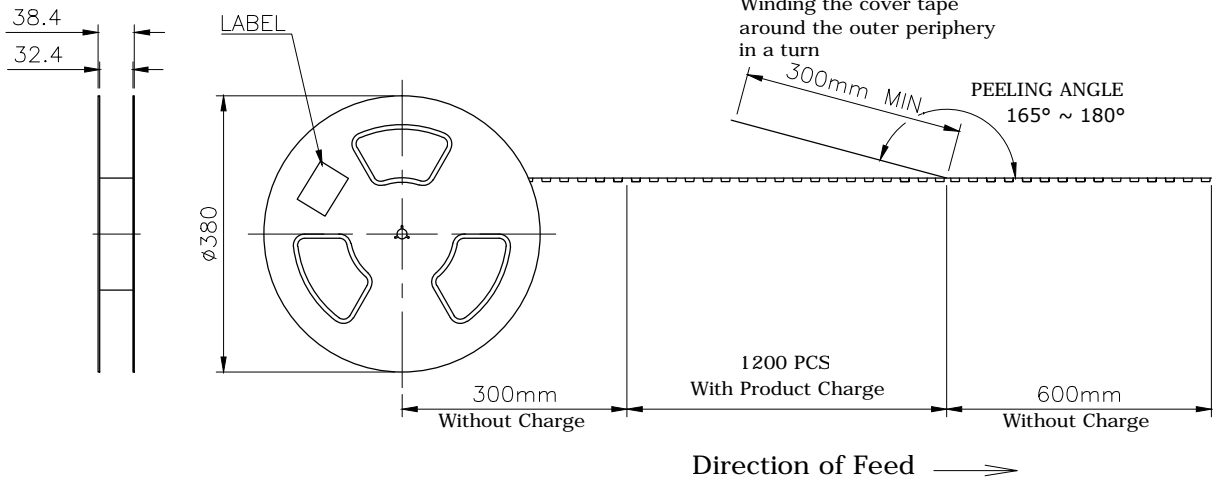
Step 1. Un-Lock

Step 2. Open the cover then add card

Step 3. Close & Lock

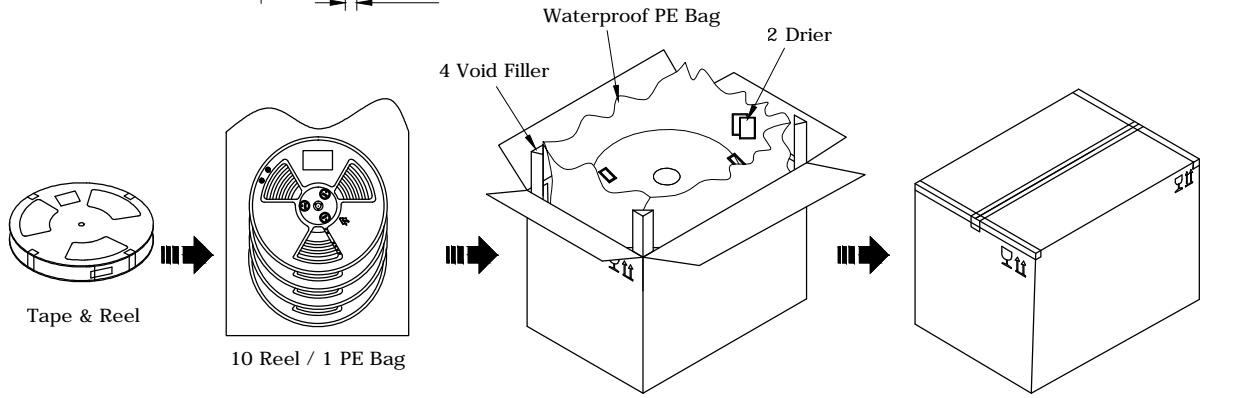
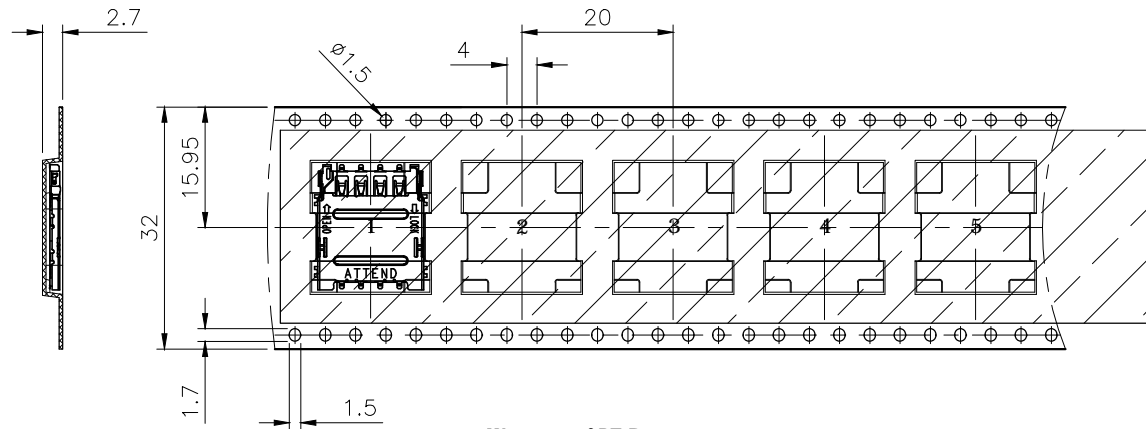
UNLESS OTHERWISE SPECIFIED TOLERANCE				 WWW.ATTEND.COM.TW	
UNIT:	DECIMAL	LINEAR	ANGLES		
mm	X.	±0.50	±5°		
	X.X	±0.25	±3°		
	X.XX	±0.12	±1°		
DRAWN	Fros	2014/12/27	DRAWN NAME:		
CHECKED	Ron	2014/12/27	Micro SIM Card Socket, Hinge Type, 8 Pin, 5u" Gold Plating		
APPROVED	Albert	2014/12/27	PRODUCT NO.	115R-BCA0	
	SCALE 3/1	SHEET 3/4	SIZE A4	FILE NAME	115R-BCA0_B_3

REV.	DESCRIPTION	DRAWN	DATE
	SEE SHEET 1		



PACKAGING SPECIFICATION:

1. MATERIAL
 - 1.1 Embossed Carrier Tape: PS Black
 - 1.2 Top Cover Tape: PET 20-130g (Peel Speed 300mm/Minute)
 - 1.3 Taping Reel: Plastic
2. PACKING
 - 2.1 Quantity:
 - 1,200 Piece/Reel
 - 10 Reel/PE Bag
 - 12,000 Piece/Carton
 - 2.2 Connector Weight: 0.36g
 - 2.3 Net Weight: 4.32 Kg
 - 2.4 Gross Weight: 13 Kg/Carton



UNLESS OTHERWISE SPECIFIED TOLERANCE

UNIT:	DECIMAL	LINEAR	ANGLES
mm	X.	±0.50	±5°
	X.X	±0.25	±3°
	X.XX	±0.12	±1°



WWW.ATTEND.COM.TW

DRAWN	Fros	2014/12/27
CHECKED	Ron	2014/12/27
APPROVED	Albert	2014/12/27
SCALE	1/1	SHEET 4/4
		SIZE A4

DRAWN NAME:	
Micro SIM Card Socket, Hinge Type, 8 Pin, 5u" Gold Plating	
PRODUCT NO.	115R-BCAO
FILE NAME	115R-BCAO_B_3