

注記 NOTES

1. 使用材料 MATERIAL

ハウジング：液晶ポリマー（LCP） ガラス充填 UL94V-0（黒）
 HOUSING: LIQUID CRYSTAL POLYMER (GLASS FILLED) UL94V-0 (COLOR: BLACK)
 ターミナル：りん青銅 (t=0.1)
 TERMINAL: PHOSPHOR BRONZE (t=0.1)

2. メッキ仕様 PLATING

ターミナル TERMINAL

金メッキ 0.1 マイクロメートル以上（コンタクト部）
 GOLD 0.1 MICROMETER MINIMUM (CONTACT AREA)
 金メッキ 0.05 マイクロメートル以上（テール部）
 GOLD 0.05 MICROMETER MINIMUM (TAIL AREA)
 下地メッキ：ニッケルメッキ 1.0 マイクロメートル以上
 UNDER PLATING: NICKEL 1.0 MICROMETER MINIMUM

※コンタクト部とテール部はニッケルメッキによって分断されている金メッキです。
 DIVIDE INTO PARTS THE GOLD PLATING OF THE CONTACT AND THE TAIL PART BY THE NICKEL PLATING.

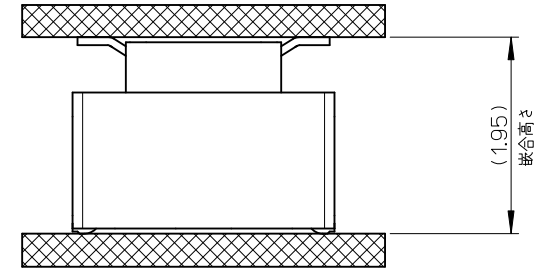
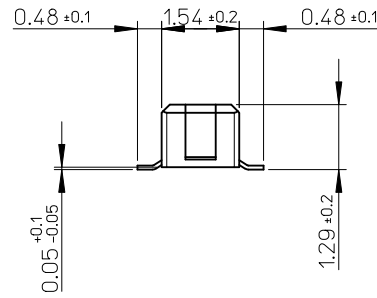
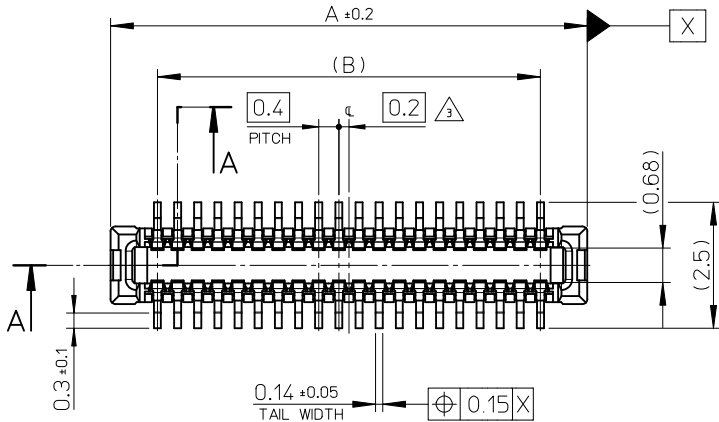
※封孔処理品

△3 (全極数/2)=偶数の場合に適用。
 APPLY FOR (CIRCUIT/2)=EVEN.

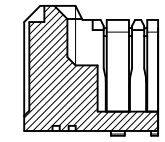
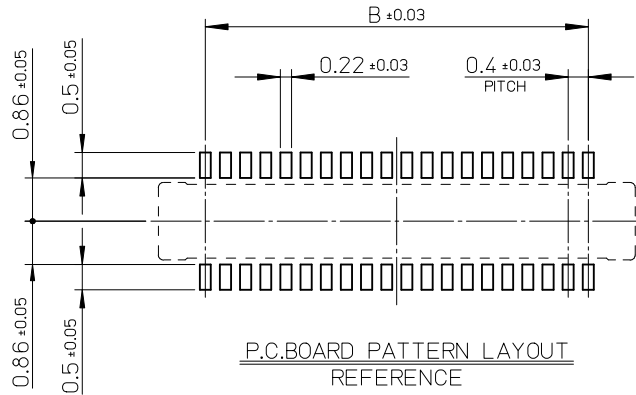
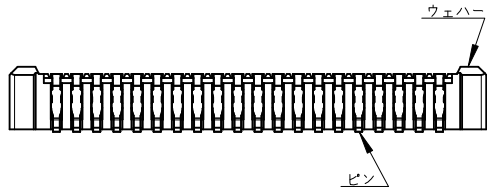
4. 嵌合相手: 503105 シリーズ
 MATE WITH: 503105 SERIES.

5. テール平坦度は、0.1 以下
 TAIL COPLANARITY TO BE 0.1 MAXIMUM.

6. ELV 及び RoHS 適合品
 ELV AND RoHS COMPLIANT.



嵌合図 (参考)
 MATED DRAWING (REFERENCE)



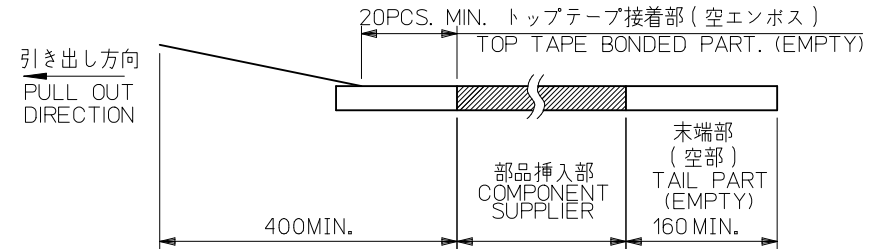
SECTION A-A

9.6	11.46	503108-5070	50
8.4	10.26	503108-4470	44
7.6	9.46	503108-4070	40
B	A	EMBOSSED TAPE	極数
ORDER No. オーダー番号			CIRCUITS
MODEL No. : 503108-**-79			

REVISED EC NO: J2012-0687 DRWN: MYOSHIDA 2011/11/25 CHKD: TASAKAWA 2011/11/25 APPR: MSASAO 2011/11/30	DESCRIPTION	GENERAL TOLERANCES (UNLESS SPECIFIED)		DIMENSION STYLE		SCALE		DESIGN UNITS		THIRD ANGLE PROJECTION
				MM ONLY		10:1		METRIC		
		10 UNDER ±---		DRAWN BY DATE		TITLE		MOLEX INCORPORATED		
		10 OVER 30 UNDER ±---		TTANIGUCHI 01 2009/01/05		0.4 B-TO-B CONN. HGT=1.5 W/O NAIL W=2.6 PLUG ASSY CHECKER TYPE		SD-503108-003		
30 OVER ±---		CHECKED BY DATE		MSASAO 2009/01/05		MATERIAL NO.		DOCUMENT NO.		SHEET NO.
ANGULAR ±---°		APPROVED BY DATE		MSASAO 2009/01/05		SEE CHART		SD-503108-003		1 OF 1
DRAFT WHERE APPLICABLE MUST REMAIN WITHIN DIMENSIONS		MATERIAL NO.		SIZE		THIS DRAWING CONTAINS INFORMATION THAT IS PROPRIETARY TO MOLEX INCORPORATED AND SHOULD NOT BE USED WITHOUT WRITTEN PERMISSION				
A	REV			A3						

注記 NOTES

- 製品詳細寸法については製品単体図面を参照下さい。
FOR DETAIL OF CONNECTOR DIMENSIONS,
PLEASE SEE THE DRAWING OF CONNECTOR ITSELF (NOT PACKAGED).
- 梱包数量: 3000 個/リール
NUMBER OF CONNECTORS : 3000PCS/REEL
- リードテープ長さ LEAD TAPE LENGTH

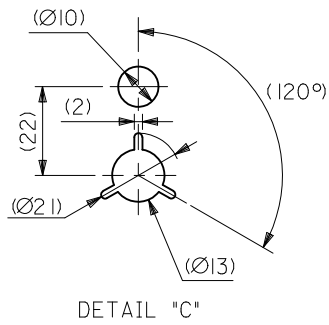
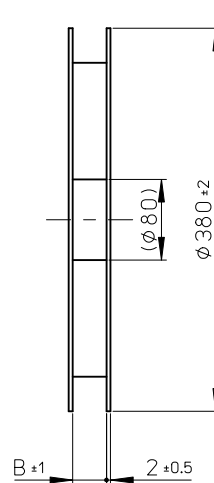
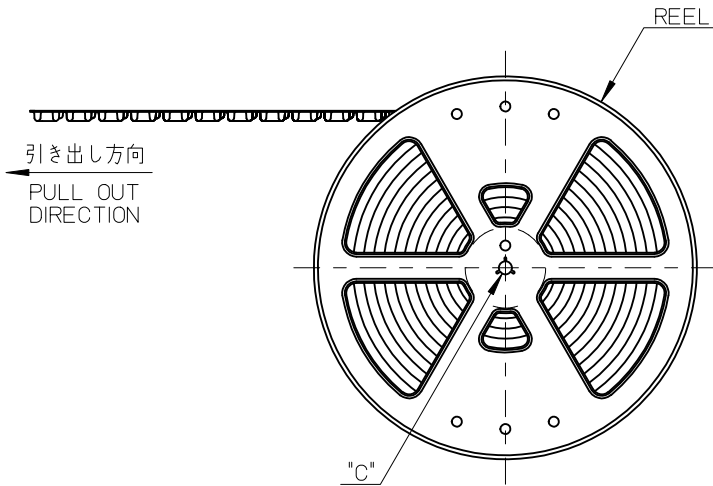


- トップテープの剥離強度: 0.1N~1.3N(10gf~130gf)
(剥離方向は下図参照)
尚、本規格値は出荷時に適用。(但し、輸送時に剥離が発生しないこと。)
PEELING OFF FORCE OF TOP TAPE : 0.1N~1.3N(10gf~130gf)
(PEELING DIRECTION AS SHOWN IN FOLLOWING FIG.)
THIS REQUIREMENT SHOULD BE APPLIED AT SHIPMENT.
PEEL OFF SHOULD NOT BE ALLOWED, DURING TRANSPORTION.

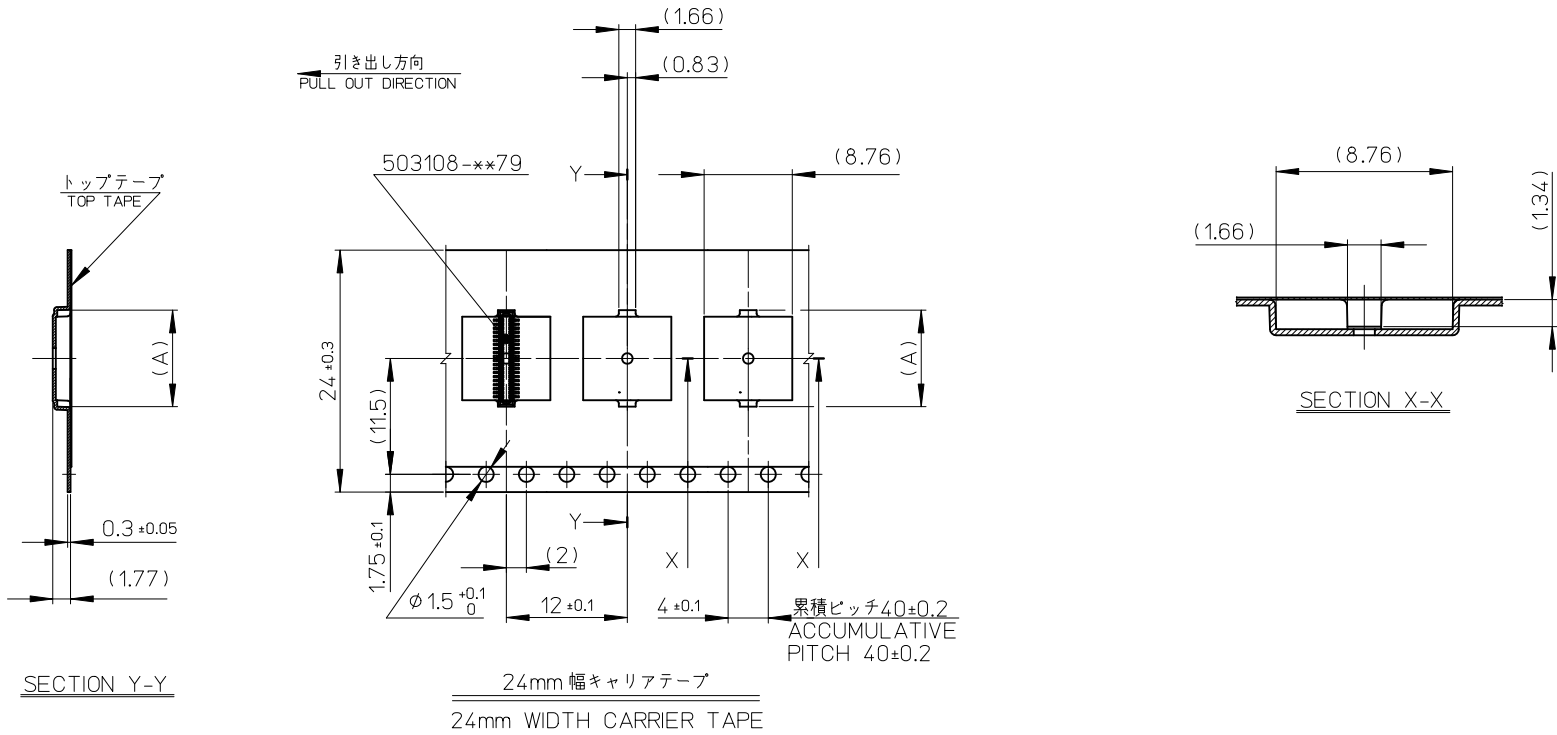


- 材料 MATERIAL
キャリアテープ (CARRIER TAPE): ポリスチレン (POLYSTYRENE)
トップテープ (TOP TAPE): PET, PE, PEF
リール (REEL): ポリスチレン (PS) <リサイクル材を含む>
POLYSTYRENE (PS) <RECYCLE MATERIAL CONTAINED>
- ELV 及び RoHS 適合品
ELV AND RoHS COMPLIANT

10 9 8 7 6 5 4 3 2 1



RELEASED EC NO.: J2012-0687 DRWN:MYOSHIDA 2011/11/25 CHKD:TASAKAWA 2011/11/25 APPR:MSASAO 2011/11/30	DESCRIPTION REV A	GENERAL TOLERANCES (UNLESS SPECIFIED)		DIMENSION STYLE MM ONLY		SCALE ---	DESIGN UNITS METRIC	MODEL NO. 503108-**70	
		10 UNDER	±---	DRAWN BY TTANIGUCHI	DATE 2009/01/27	TITLE 0.4 B-T0-B CONN. HGT=1.5 PLUG ASSY EMBSTP PKG CHECKER TYPE			
		10 OVER 30 UNDER	±---	CHECKED BY THIRATA	DATE 2009/01/27	MOLEX INCORPORATED			
		30 OVER	±---	APPROVED BY MSASAO	DATE 2009/01/27	DOCUMENT NO. SD-503108-004			
ANGULAR ±---°		DRAFT WHERE APPLICABLE MUST REMAIN WITHIN DIMENSIONS		MATERIAL NO. SEE CHART		SHEET NO. 1 OF 2			
THIS DRAWING CONTAINS INFORMATION THAT IS PROPRIETARY TO MOLEX INCORPORATED AND SHOULD NOT BE USED WITHOUT WRITTEN PERMISSION									



24	25.5	11.58	503108-5070	50
		10.38	503108-4470	44
		9.58	503108-4070	40
キャリアテープ幅 CARRIER TAPE WIDTH	B	(A)	MATERIAL No.	CKT.
			MODEL No.	503108-**70

REVISED EC NO: J2012-0687 DRWN: MYOSHIDA 2011/11/25 CHKD: TASAKAWA 2011/11/25 APPR: MSASAO 2011/11/30	DESCRIPTION	GENERAL TOLERANCES (UNLESS SPECIFIED)		DIMENSION STYLE MM ONLY		SCALE	DESIGN UNITS METRIC	THIRD ANGLE PROJECTION		
		10 UNDER	± ---	DRAWN BY	DATE	TITLE				
		10 OVER 30 UNDER	± ---	TTANIGUCHI	012009/01/27	0.4 B-TO-B CONN. HGT=1.5 PLUG ASSY EMBSTP PKG CHECKER TYPE				
		30 OVER	± ---	THIRATA	2009/01/27	MOLEX INCORPORATED				
		ANGULAR	± --- °	APPROVED BY	DATE	DOCUMENT NO.		SHEET NO.		
		DRAFT WHERE APPLICABLE MUST REMAIN WITHIN DIMENSIONS		MSASAO	2009/01/27	SD-503108-004		2 OF 2		
A	REV			MATERIAL NO. SEE CHART		THIS DRAWING CONTAINS INFORMATION THAT IS PROPRIETARY TO MOLEX INCORPORATED AND SHOULD NOT BE USED WITHOUT WRITTEN PERMISSION				