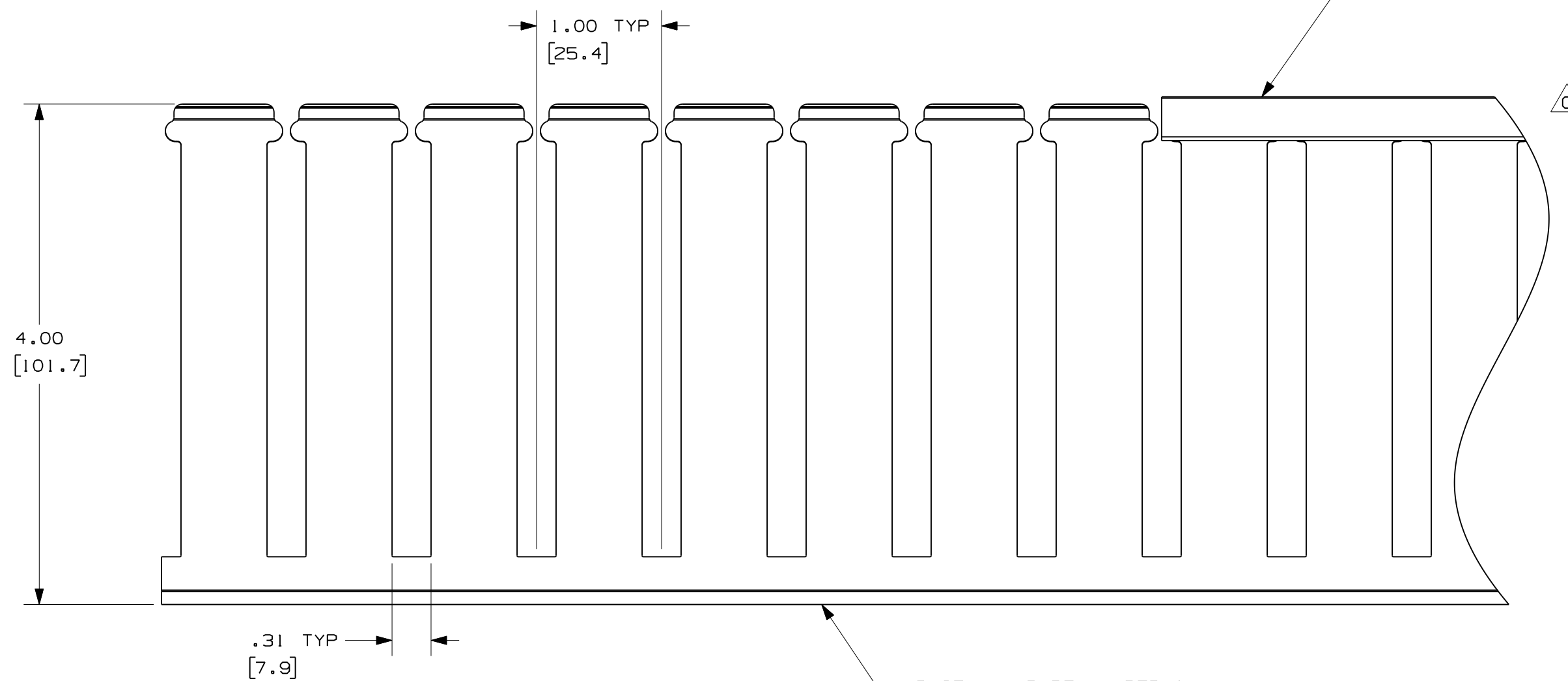
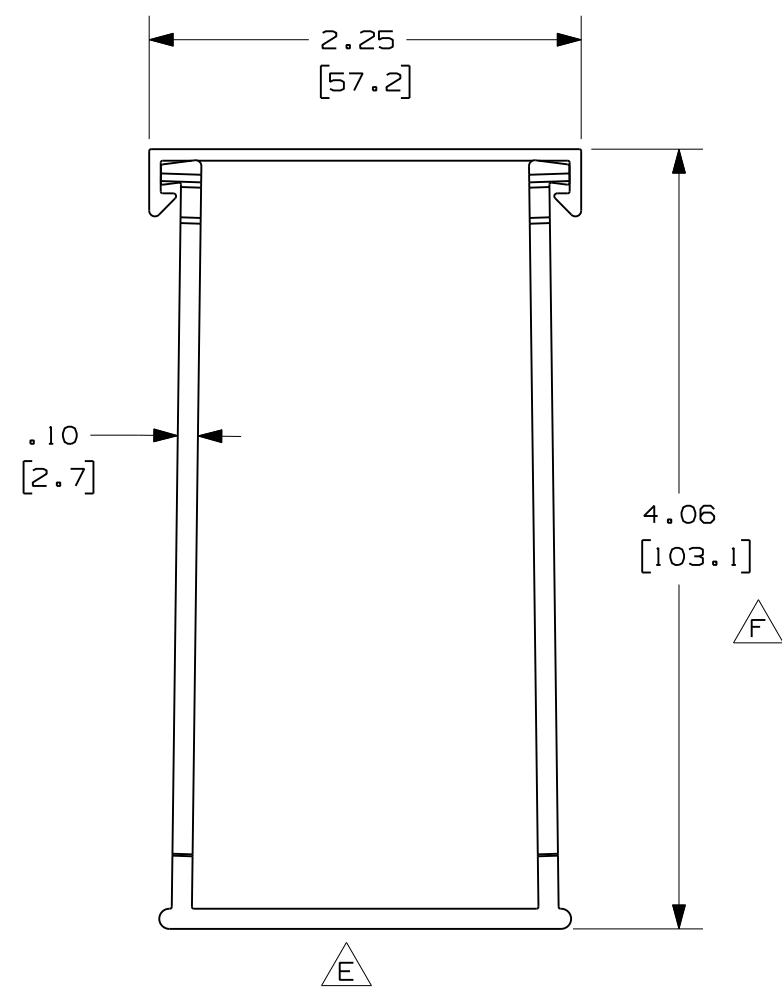


COVER - - PART NUMBER <sup>A</sup> NC2\*\*6



DUCT - - PART NUMBER <sup>A</sup> NE2X4\*\*6

- <sup>A</sup> NOTE.
- <sup>G</sup> 1. ALL DIMENSIONS ARE REFERENCE ONLY.
  2. DIMENSIONS IN PARENTHESES ARE METRIC.
  - <sup>H</sup> 3. DUCT AND COVER ARE AVAILABLE IN 6 FT [1828.8] LENGTHS.
  4. THE \*\* DENOTE COLOR.

REV	DATE	BY	CHK	DESCRIPTION
3	9-30-08	JCSTMKBE		I. CHANGED NOTES H. MODIFIED MATERIAL
---	---	---	---	G. ADDED LENGTH NOTE F. CORRECTED DIMENSION
2	8-7-07	JCSTMKBE		E. DELETED DIMENSION D. ADDED DIMENSION
1	6-16-05	JCSTMKBE		B. CHANGED TITLE BLOCK A. ADDED LABELS, AND NOTES
R	10-16-03	JHNU	JGG	C. CHANGED VIEWS DRAWING RELEASED

CAD FILENAME/LAYERS: D11000RV\_DC/02A

**PANDUIT** CORP. TINLEY PARK, ILLINOIS

WIRING DUCT - TYPE NE WITH COVER  
2 X 4  
MARKETING DRAWING

DRAWN BY: JHNU	MAT'L: HALOGEN FREE MODIFIED PPO	SCALE: FULL
DATE: 10-16-03	CHECKED BY: JGG	DWG NO.: 36897-949
		DWG SIZE: C