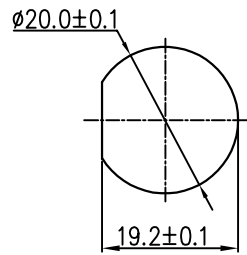
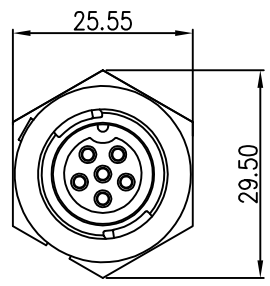
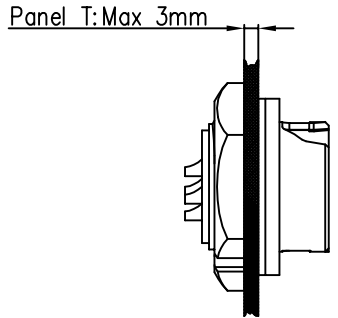
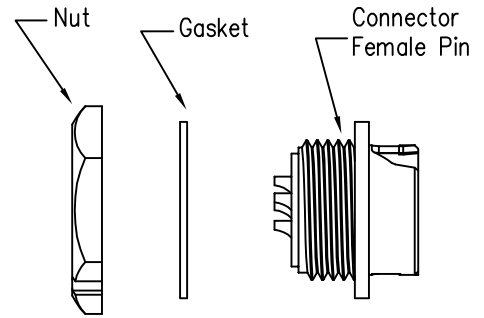
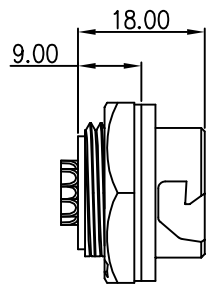


THIS INFORMATION IS CONFIDENTIAL AND IS DISCLOSED TO YOU ON CONDITION THAT NO FURTHER DISCLOSURE IS MADE BY YOU TO OTHER THAN CHOGORI PERSONNEL WITHOUT AUTHORIZATION FROM CHOGORI CORP.

REV.	ECN NO.	DESCRIPTION	SIGN	DATE
C1	N/A	INITIAL DRAWING	Liu	2020/05/16



Recommended Panel Cut-Out



23XXX635-03  
Pin Number

- Specification:
- 1.Operation Temperature:  $-45^{\circ}\text{C} \sim 105^{\circ}\text{C}$ .
  - 2.Insulation Resistance:  $100\text{M}\Omega$  at DC500V.
  - 3.Contact Resistance:  $<10\text{m}\Omega$ .
  - 4.Withstand Voltage: 1500V AC
  - 5.Operating Current: 10A
  - 6.Operating Voltage: AC 125V
  - 7.Waterproof Rate: IP67 (Mated)
  - 8.Housing: Nylon, Black
  - 9.Female Pin: Copper Alloy, Gold Plated
  - 10.Gasket: Silicon Gray
  - 11.Panel Nut: Nylon, Blue
  - 12.Torque Rate:  $0.8 \sim 1.0\text{N} \cdot \text{m}$
  - 13.RoHS Compliant.
  - 14.UL Compliant.
  - 15.Mating Cap P/N: 806-00021-00

5 Pin	6 Pin
P/N: 23005635-03	P/N: 23006635-03
Pin Assignments Front View	

UNIT:mm		DESCRIPTION Middle Series Push Lock Rear Mount With Female Pin	<b>CHOGORI</b>	PART NO 23XXX635-03	DRAWN BY Liu	DATE 2020/05/16
TOLERANCE .X ±0.25 .XX ±0.15 .XXX ±0.05 ANGLES ±1°	SCALE 1:1	SHEET 1 OF 1		DWG NO	CHECKED BY Mo	DATE 2020/05/16
REV. C1	SIZE A4	* :Inspection Item		CUSTOMER	APPROVED BY Adley	DATE 2020/05/16