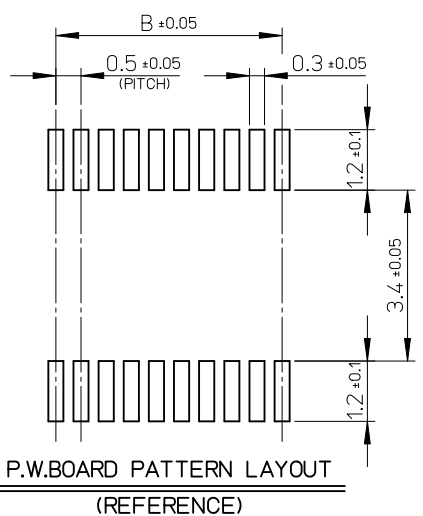
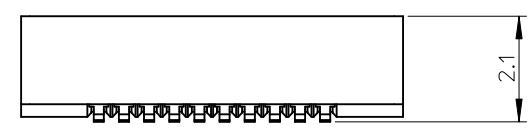
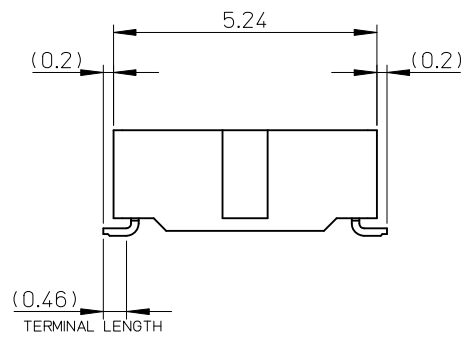
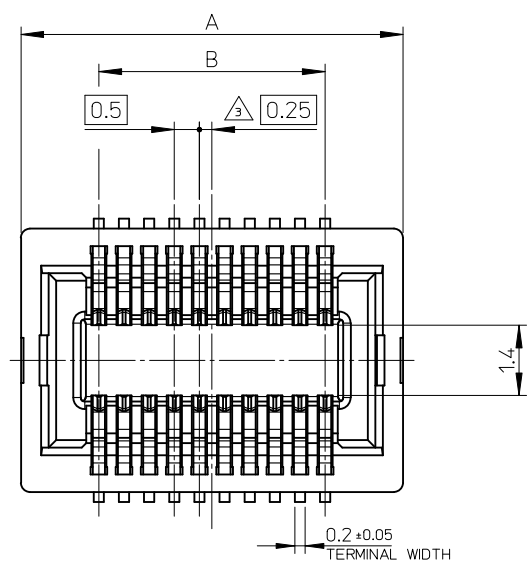


注記 NOTES

1. 使用材料 MATERIAL
 ハウジング：液晶ポリマー(LCP)、ガラス充填、UL94 V-0、黒
 HOUSING：LIQUID CRYSTAL POLYMER (LCP),
 GLASS FILLED, UL94 V-0, BLACK
 ターミナル：リン青銅
 TERMINAL：PHOSPHOR BRONZE
2. めっき仕様 PLATING
 ターミナル TERMINAL
 コンタクト部：金めっき
 テール部：金めっき
 下地：ニッケルめっき
 *コンタクト部とテール部は、ニッケルメッキによって
 分断された金メッキとなります。
 CONTACT AREA：GOLD PLATING
 SOLDER TAIL AREA：GOLD PLATING
 UNDERPLATE：NICKEL PLATING
 * GOLD PLATING AREA IS DIVIDED INTO
 CONTACT AREA AND SOLDER TAIL AREA
 BY NICKEL PLATING.
3. (全極数/2) = 偶数の場合に適用。
 APPLY ONLY WHEN ONE-HALF OF
 THE NUMBER OF CIRCUITS IS EVEN NUMBER.
4. 嵌合相手：503839, 503842 シリーズ
 MATE WITH：503839, 503842 SERIES
5. テール平坦度は、0.1MAX.
 TAIL COPLANARITY TO BE 0.1 MAXIMUM.
6. ELV及びRoHS適合品
 ELV AND ROHS COMPLIANT.

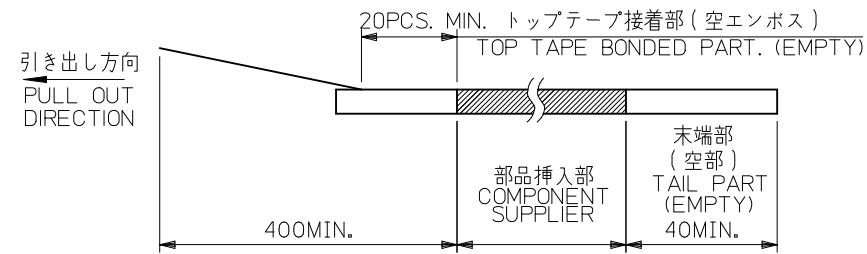
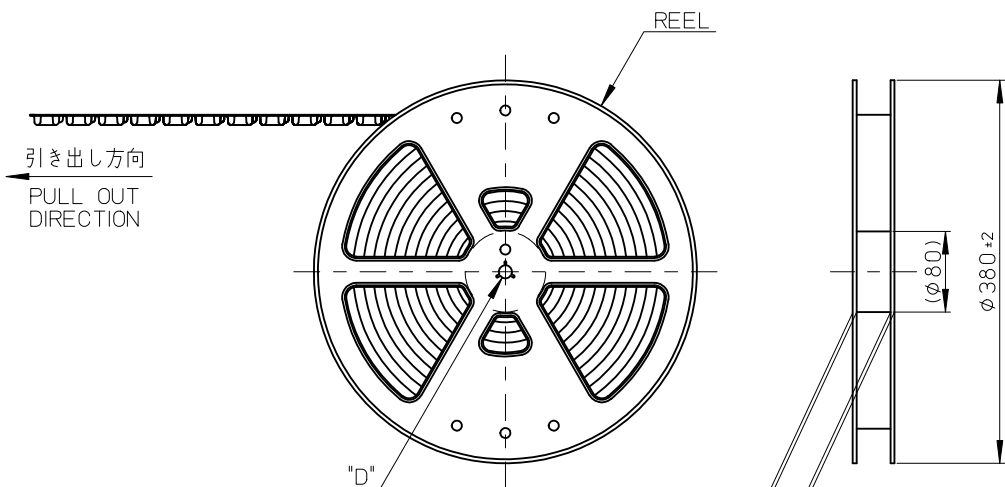


5.5	8.6	503836-2410	24
4.5	7.6	503836-2010	20
4.0	7.1	503836-1810	18
B	A	MATERIAL NO.	CIRCUIT

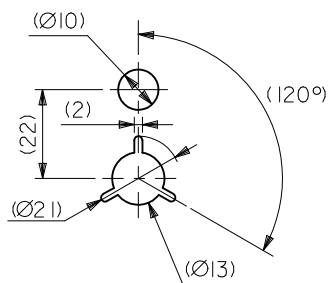
RELEASED EC NO: J2012-1383 DRW: MTAKAHASHI 2012/05/14 CHK: RTAKEUCHI 2012/05/14 APPR: MSASAO 2012/05/14	GENERAL TOLERANCES (UNLESS SPECIFIED)		DIMENSION STYLE MM ONLY		SCALE 10:1	DESIGN UNITS METRIC	THIRD ANGLE PROJECTION
	10 UNDER	± 0.2	DRAWN BY MTAKAHASHI 03	DATE 2012/05/14	0.5 BB CONN. H=2.5/3.0 REC ASSY molex DOCUMENT NO. SD-503836-001 SHEET NO. 1 OF 1		
	10 OVER 30 UNDER	± 0.25	CHECKED BY RTAKEUCHI	DATE 2012/05/14			
	30 OVER	± 0.3	APPROVED BY MSASAO	DATE 2012/05/14			
ANGULAR ±1 °		MATERIAL NO. SEE CHART					
DRAFT WHERE APPLICABLE MUST REMAIN WITHIN DIMENSIONS		SIZE A3		THIS DRAWING CONTAINS INFORMATION THAT IS PROPRIETARY TO MOLEX INCORPORATED AND SHOULD NOT BE USED WITHOUT WRITTEN PERMISSION			

注記 NOTES

- 製品詳細寸法については製品単体図面を参照下さい。
RE DETAILED DIMENSION, SEE PRODUCT DRAWING.
- 梱包数量: 2500 個/リール
NUMBER OF CONNECTORS : 2500PCS/REEL
- リードテープ長さ LEAD TAPE LENGTH



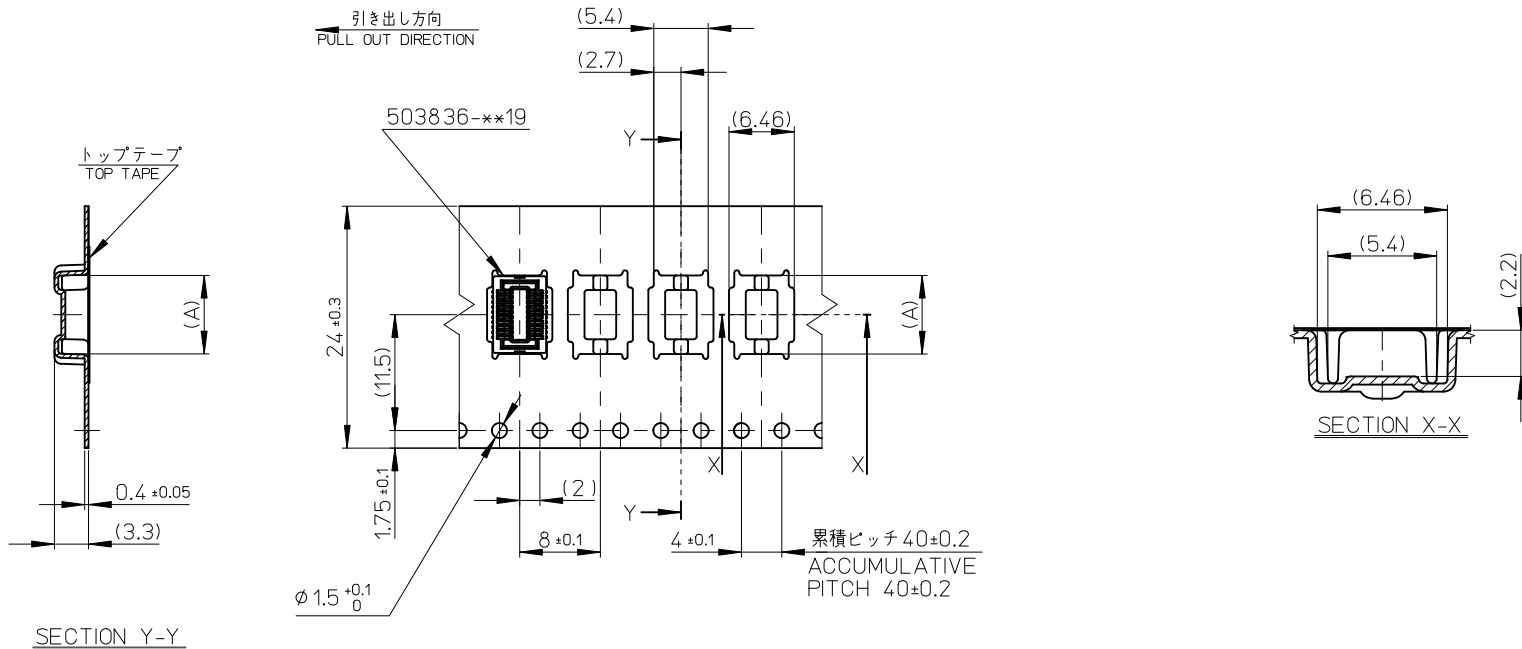
- 材料 MATERIAL
 キャリアテープ (CARRIER TAPE): ポリスチレン (POLYSTYRENE)
 トップテープ (TOP TAPE): PET, OTHER
 リール (REEL): ポリスチレン (PS) <リサイクル材を含む>
 POLYSTYRENE (PS) <RECYCLE MATERIAL CONTAINED>
- ELV 及び RoHS適合品
 ELV AND RoHS COMPLIANT



DETAIL "D"

MODEL NO. 503836-**10

RELEASED EC NO: J2012-1387 DRWN: MTAKAHASHI 03 2012/05/14 CHKD: RTAKEUCHI 2012/05/15 APPR: MSASAO 2012/05/16	GENERAL TOLERANCES (UNLESS SPECIFIED)		DIMENSION STYLE MM ONLY	SCALE ---	DESIGN UNITS METRIC	THIRD ANGLE PROJECTION
	10 UNDER	±---	DRAWN BY MTAKAHASHI 03	DATE 2012/05/14	TITLE 0.5 BB CONN. H=2.5/3.0 REC ASSY EMBSTP PKG	
	10 OVER 30 UNDER	±---	CHECKED BY RTAKEUCHI	DATE 2012/05/15		
	30 OVER	±---	APPROVED BY MSASAO	DATE 2012/05/16		
ANGULAR	±---°	MATERIAL NO. SEE TABLE		DOCUMENT NO. SD-503836-002	SHEET NO. 1 OF 2	
DRAFT WHERE APPLICABLE MUST REMAIN WITHIN DIMENSIONS		SIZE A3	THIS DRAWING CONTAINS INFORMATION THAT IS PROPRIETARY TO MOLEX INCORPORATED AND SHOULD NOT BE USED WITHOUT WRITTEN PERMISSION			



24mm 幅キャリアテープ
24mm WIDTH CARRIER TAPE

24	29.4	25.4	8.8	503836-2410	24
			7.8	503836-2010	20
			7.3	503836-1810	18
キャリアテープ幅 CARRIER TAPE WIDTH			C	B	(A)
			MATERIAL No.		CKT.
			MODEL No.		503836-**-10

RELEASED EC NO. J2012-1387 DRWN:MTAKAHASHI 03 2012/05/15 CHKD:RTAKEUCHI 2012/05/15 APPR:MSASAO 2012/05/16 REV: 0	DESCRIPTION GENERAL TOLERANCES (UNLESS SPECIFIED) 10 UNDER ± --- 10 OVER 30 UNDER ± --- 30 OVER ± --- ANGULAR ± --- ° DRAFT WHERE APPLICABLE MUST REMAIN WITHIN DIMENSIONS	DIMENSION STYLE MM ONLY		SCALE ---	DESIGN UNITS METRIC	TITLE 0.5 BB CONN. H=2.5/3.0 REC ASSY EMBSTP PKG molex SD-503836-002 SHEET NO. 2 OF 2
		DRAWN BY DATE		TITLE		
		MTAKAHASHI 03 2012/05/15				
		CHECKED BY DATE				
		RTAKEUCHI 2012/05/15				
APPROVED BY DATE						
MSASAO 2012/05/16						
MATERIAL NO.		SEE TABLE		DOCUMENT NO.		